

Chain Lubricators

ELECTRO CHAIN LUBRICATORS WITH BRUSHES are especially suitable for intermittent operations. They are turned on and off automatically with a solenoid valve which is wired across the line of the chain drive motor. The solenoid can also be operated by a separate switch or timer for intermittent use.

Liquid is fed to brushes by gravity through a solenoid valve. It is then fed to an adjustable precision needle valve with a friction lock, which guards against loosening from vibration. Drop feeding can be observed through the viewing window in the mounting shank.

The flexible bristles of the brush follow the contour of the moving chain and spread liquid to all load-carrying points. This results in a reduction of chain wear which prolongs the life of costly chains. Lubrication occurs only when the chain moves through the brush riding on the chain. For typical installation, see page 39.

SPECIFICATIONS:

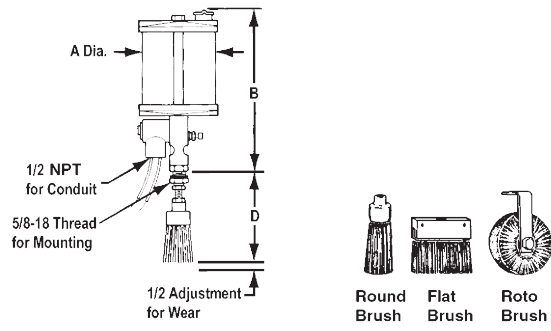
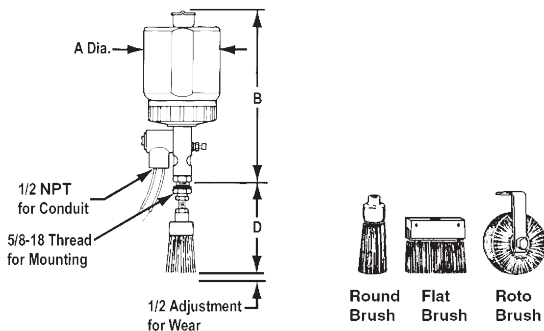
- Pressure Atmospheric Pressure
Gravity Feed Only
Reservoir and Sight Are Vented
- Temperature 160° F. Max. Acrylic
225° F. Max. Pyrex or Polycarbonate
- Metering Adjustable Needle Valve with Solenoid Shutoff
- Reservoir Acrylic, Polycarbonate or Pyrex
- Valve Body Aluminum Alloy
- Seals Buna-N
- Sight Glass
- Covers Aluminum Alloy or Polypropylene



Style DEC



Style DEC



When Ordering Specify:

- Model Number
- Voltage and Frequency
- Brush Type, Size and Material (Nylon or Stainless Steel)

When Ordering Specify:

- Model Number
- Voltage and Frequency
- Brush Type, Size and Material (Nylon or Stainless Steel)

Model Number	Capacity	A	B
B-1743-1	1 OZ.	2	5
B-1743-2	2 1/2 OZ.	2	6
B-1743-3	5 OZ.	2 7/8	5 15/16
B-1743-4	9 OZ.	2 7/8	7 3/16
B-1743-5	1 PT.	3 5/8	8 1/2
B-1743-6	1 QT.	3 5/8	11 7/8
B-1743-7	1/2 GAL.	5	12 3/4

Model Number		Capacity	A	B
Acrylic	Pyrex			
* B-2192-2	B-2192-12	2 1/2 OZ.	2	5 9/16
* B-2192-3	B-2192-13	5 OZ.	2 1/2	6 1/16
* B-2192-4	B-2192-14	9 OZ.	3	7
B-2192-5	B-2192-15	1 PT.	3 1/2	8
B-2192-6	B-2192-16	1 QT.	4 1/4	9 5/16
B-2192-7	B-2192-17	1/2 GAL.	5 1/2	11 7/16
B-2192-8	—	1 GAL.	5 1/2	16 7/16

Brush Size	Round Brush				Flat Brush	Roto Brush
	1/4 Dia	5/8 Dia	1 Dia	1 1/2 Dia	2 1/4 x 3/8	3 Dia. x 1 Wide
D	3 5/8	3 1/16	3 3/4	3 3/4	3	4 7/8

Brush Size	Round Brush				Flat Brush	Roto Brush
	1/4 Dia	5/8 Dia	1 Dia	1 1/2 Dia	2 1/4 x 3/8	3 Dia. x 1 Wide
D	3 5/8	3 1/16	3 3/4	3 3/4	3	4 7/8

* Special - Please Consult Factory

MANUAL CHAIN LUBRICATORS WITH BRUSHES are ideal for continuous operation. They are turned on and off with a toggle shutoff and liquid is dispensed through a brush riding the chain.

Liquid is fed to brushes by gravity through an adjustable precision needle valve with a friction lock, which guards against loosening from vibration. The toggle shutoff is used to start and stop liquid flow, but will not affect the metering adjustment. Drop feeding can be observed through the viewing window in the mounting shank.

The flexible bristles of the brush follow the contour of the moving chain and spread liquid to all load-carrying points. This results in a reduction of chain wear which prolongs the life of costly chains. Any desired amount of liquid will be spread evenly on the chain assuring positive lubrication. For typical installation, see **page 39**.

SPECIFICATIONS:

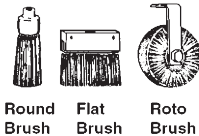
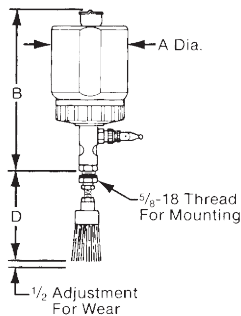
- Pressure Atmospheric Pressure
Gravity Feed Only
Reservoir and Sight Are Vented
- Temperature 160° F. Max. Acrylic
225° F. Max. Pyrex or Polycarbonate
- Metering Adjustable Needle Valve with Toggle Shutoff
- Reservoir Acrylic, Polycarbonate or Pyrex
- Valve Body Aluminum Alloy
- Seals Buna-N
- Sight Glass
- Covers Aluminum Alloy or Polypropylene



Style DOSC

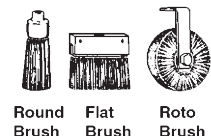
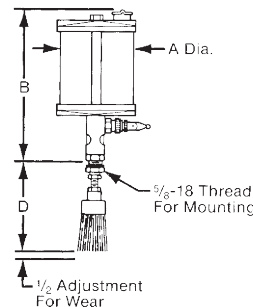


Style DOSC



When Ordering Specify:

- Model Number
- Brush Type, Size and Material (Nylon or Stainless Steel)



When Ordering Specify:

- Model Number
- Brush Type, Size and Material (Nylon or Stainless Steel)

Model Number	Capacity	A	B
B-1745-1	1 OZ.	2	4 1/2
B-1745-2	2 1/2 OZ.	2	5 1/2
B-1745-3	5 OZ.	2 7/8	5 7/16
B-1745-4	9 OZ.	2 7/8	6 11/16
B-1745-5	1 PT.	3 3/8	8
B-1745-6	1 QT.	3 3/8	11 3/8
B-1745-7	1/2 GAL.	5	12 1/4

Brush Size	Round Brush		Flat Brush	Roto Brush
	1/4 Dia	5/8 Dia	1 Dia	1 1/2 Dia
D	3 3/8	3 1/16	3 3/4	3 3/4

Model Number		Capacity	A	B
Acrylic	Pyrex			
* B-2191-2	B-2191-12	2 1/2 OZ.	2	5
* B-2191-3	B-2191-13	5 OZ.	2 1/2	5 1/2
* B-2191-4	B-2191-14	9 OZ.	3	6 7/16
B-2191-5	B-2191-15	1 PT.	3 1/2	7 7/16
B-2191-6	B-2191-16	1 QT.	4 1/4	8 3/4
B-2191-7	B-2191-17	1/2 GAL.	5 1/2	10 7/8
B-2191-8	—	1 GAL.	5 1/2	15 7/8

Brush Size	Round Brush		Flat Brush	Roto Brush
	1/4 Dia	5/8 Dia	1 Dia	1 1/2 Dia
D	3 3/8	3 1/16	3 3/4	3 3/4

* Special - Please Consult Factory