

## PurgeX® Quick Pack™, Centralized Lubrication Systems

PurgeX Quick Pack feature the reliability of Oil-Rite's PurgeX® injector pumps which meter both liquid and grease. The Quick Pack™ are economically priced and easy to install. Supplied with an easy to fill reservoir, fully adjustable cycle timer and rugged mounting plate, these units are suitable wherever accuracy, simplicity and economy are required. The Quick Pack™ units are available in both air and motor operated systems for liquid or grease in banks of 2 to 36 connected pumps. Controlled by a repeat cycle timer, injector pumps immediately deliver the liquid or grease from a central reservoir to the point of application.

The Quick Pack™ units are particularly well suited for the manufacturing, packaging, food, printing, chemical, marine, petroleum, and textile industries. Suggested applications include: chains, cables, cams, bearings, conveyors, and machine tools. The individually adjustable pumps on these systems provide precision metering of liquid or grease. See output Chart A. By dispensing an exact amount of fluid every time, the units reduce contamination while reliably delivering fluid during every cycle. Standard accessories available to modify the units include air regulators, air pressure gages, liquid filter, spray nozzles, and applicator brushes. A variety of fittings and tubing are also offered. It also fits in standard enclosures.

In lab test the PurgeX pump has over 360,000,000 cycles which have been achieved without appreciable wear. Industry statistics state that with the right lubrication equipment, you can lower your maintenance costs by 30%. Oil-Rite "The First Time™"

© 2003

### The PurgeX Pump Features

- No Priming Necessary-Positive Inlet Suction
- Operates in any position
- Purges entrained air - Will not vapor lock
- Suck-Back feature (no after drip) from outlet
- Vacuum of 20"-25" Hg generated on fluid inlet
- Less than 1/1000th ml per cycle achievable

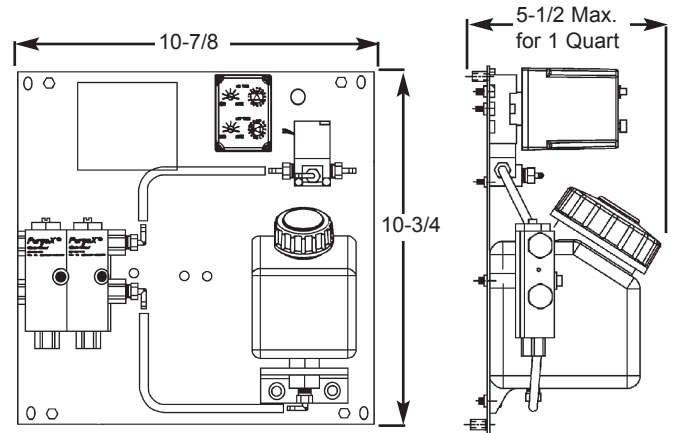


Catalog No. B3544-102 (Shown)

PAT. NO. 5,984,652, 4,784,578

### SPECIFICATIONS

Body	Aluminum alloy (other material available)
Seals	Buna-N and Viton®
Components	Brass, Stainless Steel, Aluminum, Delrin and Plated Steel
Reservoir capacity	1 Quart, 1 Pint, Integral 1.5 oz. or 1/2 gallon
AIR OPERATED	
Temperature	-15° to 180° F
Air pressure	40 to 125 psi @72° F
Piston ratio	9:1
MOTOR OPERATED	
Temperature	-15° to 120° F
Motor voltage	120V/60Hz (other voltages available)
Motor speed	1 RPM (other speeds available)



Litho USA

### Output Chart A

Drop Size (Dia.)	1/4 Stroke .012 cu. in.	Volume Per Turn of Adjusting Screw	.0018
1/16	95.8	14.2	
3/32	28.4	4.20	
1/8	12.0	1.70	
5/32	6.2	.93	
3/16	3.5	.53	

### SELECTION CHART

When Ordering Specify:  
 •Catalog Number  
 •Voltage and Speed

Lubricant Type	Liquid Delivery		Grease Delivery	
	Air Operated	Motor Operated	Air Operated	Motor Operated
Power Source	Air Operated	Motor Operated	Air Operated	Motor Operated
Reservoir Cap.	Quart or Pint	Quart or Pint	1.5 ounce	1.5 ounce
Number of Feeds				
2	B3544-102	B3545-102	B3546-102	B3547-102
4	B3544-104	B3545-104	B3546-104	B3547-104

See 1/2 gallon Grease unit on back page

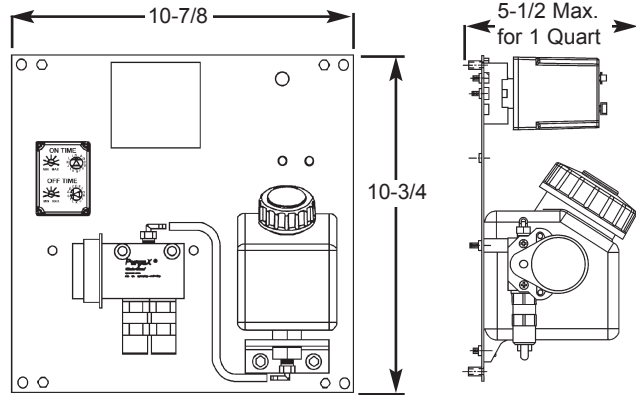
Continued on next page

continued

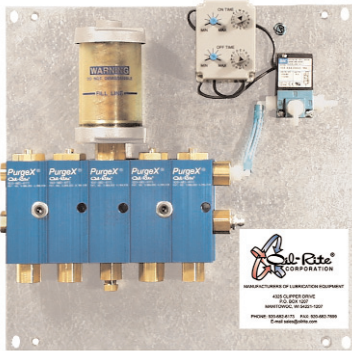
### Motor Operated PurgeX® Liquid Injector Pump Package



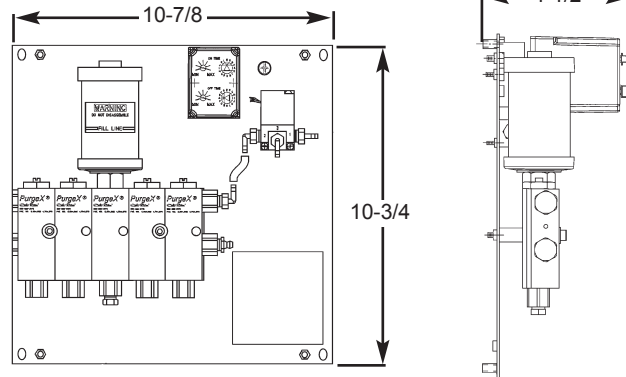
Catalog No. B3545-102 (Shown)



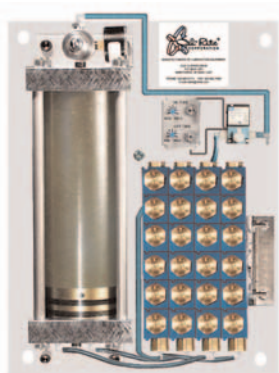
### Air Operated PurgeX® Grease Injector Pump Package



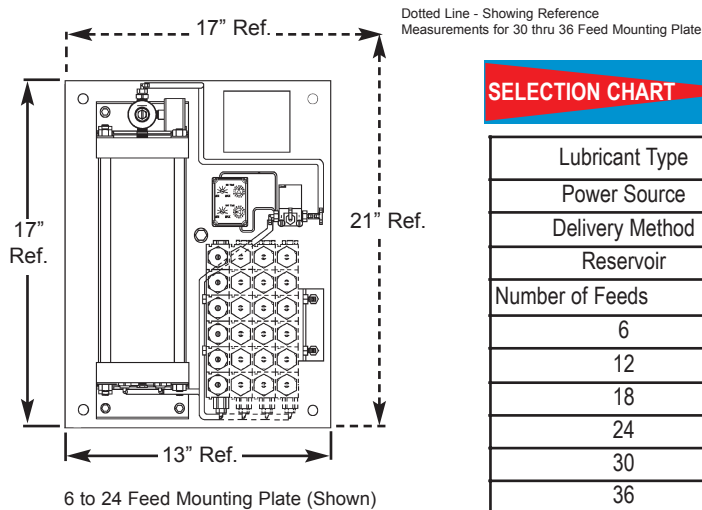
Catalog No. B3546-104 (Shown)



### Air Operated PurgeX® Centralized Grease System Package



Part No. B3538-124 (Shown)



#### SELECTION CHART

When Ordering Specify:  
•Catalog Number

Lubricant Type	Grease Delivery
Power Source	Air Operated
Delivery Method	1/8 NPT
Reservoir	1/2 GAL.
Number of Feeds	
6	B3538-106
12	B3538-112
18	B3538-118
24	B3538-124
30	B3538-130
36	B3538-136