

Section 8200 Index

BRASS LEVEL GAGES55-56



- Exploded View
- Short Elbow
- Long Elbow
- Union Coupling Elbow

BRASS LEVEL GAGES cont.57-58



- Female Elbow
- Straight Mounting
- 1" Dial Thermometer Elbow
- 2" Dial Thermometer Elbow

BROAD FACE LEVEL GAGES67



- (Flush Mounting)
- Front Mounting
- Back Mounting
- 2" Thermometer Front Mounting
- 2" Thermometer Back Mounting

CHANNEL LEVEL GAGES - ALUMINUM63



- NEW**
- (Flush Mounting)
- Plain
- Thermometer
- Front Mounting
- Back Mounting

CHANNEL LEVEL GAGES - STEEL64



- (Flush Mounting)
- Front Mounting
- Back Mounting
- 1" and 2" Thermometer Front Mounting
- 1" and 2" Thermometer Back Mounting

FLEXIBLE LEVEL GAGES65



- (Flush Mounting)
- Front Mounting
- Back Mounting
- 1" and 2" Thermometer Front Mounting
- 1" and 2" Thermometer Back Mounting

RIGID PLASTIC LEVEL GAGES-FLUSH66



- (Flush Mounting)
- Front Mounting
- Back Mounting
- 1" and 2" Thermometer Front Mounting
- 1" and 2" Thermometer Back Mounting

RIGID PLASTIC LEVEL GAGES59-62



- Short Elbow
- Long Elbow
- Union Coupling Elbow
- Straight Mounting
- 1" and 2" Thermometer Short Elbow
- 1" and 2" Thermometer Long Elbow

SPECIALIZED LEVEL GAGES70



- Drum Gage with Faucet
- Window Sight with Aluminum Ball

STEEL LIQUID LEVEL GAGES52-54



- Exploded View
- Short Elbow
- Long Elbow
- Union Coupling Elbow
- Straight Mounting

WINDOW SIGHTS - GASKETED68



- Exploded View

WINDOW SIGHTS69



- Fused - N.P.T. Mounting
- Gasketed - N.P.T. Mounting

Steel Liquid Level Gages

TYPICAL APPLICATIONS — Used to indicate level of lubricating oil supply at bearings, gear boxes, crank cases, transformers, switches, etc.

COMPACT DESIGN — Can be installed easily in any location having enough clearance for a one-piece oil gage.

SIMPLE INSTALLATION — Square shank with pipe thread screws horizontally or vertically into tapped hole. Options are available for difficult or irregular mountings.

QUALITY-BUILT — Shank body and cap are machined to close tolerance. Sights are clear glass and will withstand a tremendous amount of duress. For a leak-tight seal, Buna-N seals are furnished as standard. Other commercial seal materials are available.

MODIFICATIONS AVAILABLE — If desired, the elbow level gages can be supplied with high or low labels or level markings. In addition to the standard line, many special gages, similar to the ones described here, have been developed for customer's specific applications. Should you have special requirements, our engineering service is available without obligation.

SPECIFICATIONS:

- | | |
|------------------|--------------------------------------|
| • Pressure | Atmospheric Pressure Sight is Vented |
| • Temperature | 225° F. Max. |
| • Body | Steel, Plated |
| • Sight | Gage Glass |
| • Seals | Buna-N |
| • Mounting Shank | Steel, Plated |

When Ordering Specify:

- Catalog Number

LEAKPROOF CONSTRUCTION — For a leak - tight seal. Buna-N seals are furnished as standard. Other commercial seal materials are available.

GLASS SIGHT — for the steel channel body is extremely tough and will withstand a tremendous amount of duress. Sight is compatible with many chemicals, and it will retain its clarity through various temperature ranges. Several level markings are available on request

BENEFITS — To visibly indicate liquid supply level on machinery lubrication and liquid storage systems. The tough steel channel protects sight glass from damage.

QUICK RESPONSE — Hollow mounting shank allow liquid to enter the gage, the displaced air is vented back into the atmosphere. These large passages effect quick level responses.

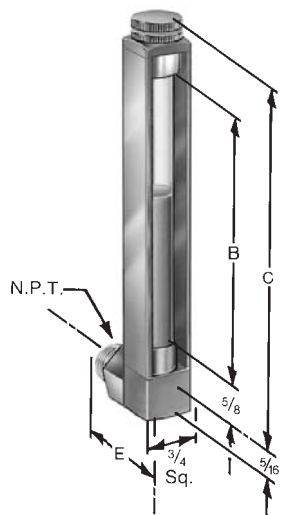


Style OGG

Steel Level Gages - Short & Long Elbow

SHORT & LONG ELBOW GAGES are made of tough, plated steel bodies which allow visual observation of liquid level and liquid clarity.

The glass sights are compatible with many chemicals, and they will retain their clarity through various temperature changes. The tough steel channel gage will protect against glass breakage.

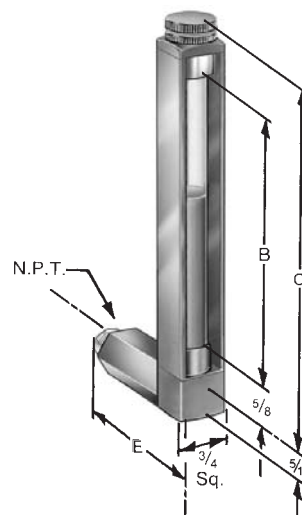


When Ordering Specify:

- Catalog Number

Short Elbow Catalog Number	N.P.T. Size	B	C	E
B-1603-1	1/8	3/4	2 ¹ / ₃₂	1 ¹ / ₄
B-1603-2	1/4			1 ⁵ / ₁₆
B-1603-3	3/8			1 ³ / ₈
B-1603-5	1/8	1 ³ / ₈	2 ²¹ / ₃₂	1 ¹ / ₄
B-1603-6	1/4			1 ⁵ / ₁₆
B-1603-7	3/8			1 ³ / ₈
B-1603-9	1/8	2 ³ / ₈	3 ²¹ / ₃₂	1 ¹ / ₄
B-1603-10	1/4			1 ⁵ / ₁₆
B-1603-11	3/8			1 ³ / ₈
B-1603-13	1/8	3 ³ / ₈	4 ²¹ / ₃₂	1 ¹ / ₄
B-1603-14	1/4			1 ⁵ / ₁₆
B-1603-15	3/8			1 ³ / ₈
B-1603-18	1/4	4 ³ / ₈	5 ²¹ / ₃₂	1 ⁵ / ₁₆
B-1603-19	3/8			1 ³ / ₈
B-1603-20	1/2			1 ³ / ₄
B-1603-22	1/4	5 ³ / ₈	6 ²¹ / ₃₂	1 ⁵ / ₁₆
B-1603-23	3/8			1 ³ / ₈
B-1603-24	1/2			1 ³ / ₄
B-1603-26	1/4	7 ³ / ₈	8 ²¹ / ₃₂	1 ⁵ / ₁₆
B-1603-27	3/8			1 ³ / ₈
B-1603-28	1/2			1 ³ / ₄
B-1603-30	1/4	9 ³ / ₈	10 ²¹ / ₃₂	1 ⁵ / ₁₆
B-1603-31	3/8			1 ³ / ₈
B-1603-32	1/2			1 ³ / ₄
B-1603-34	1/4	12 ³ / ₈	13 ²¹ / ₃₂	1 ⁵ / ₁₆
B-1603-35	3/8			1 ³ / ₈
B-1603-36	1/2			1 ³ / ₄

The gages are used on tanks, reservoirs, hydraulic equipment, presses, large motor bearings, pillow blocks, and in other applications where it is necessary to guard against a low oil level.



When Ordering Specify:

- Catalog Number

Long Elbow Catalog Number	N.P.T. Size	B	C	E
B-1606-1	1/8	3/4	2 ¹ / ₁₆	1 ³ / ₄
B-1606-2	1/4			1 ¹³ / ₁₆
B-1606-3	3/8			1 ⁷ / ₈
B-1606-5	1/8	1 ³ / ₈	2 ¹¹ / ₁₆	1 ³ / ₄
B-1606-6	1/4			1 ¹³ / ₁₆
B-1606-7	3/8			1 ⁷ / ₈
B-1606-9	1/8	2 ³ / ₈	3 ¹¹ / ₁₆	1 ³ / ₄
B-1606-10	1/4			1 ¹³ / ₁₆
B-1606-11	3/8			1 ⁷ / ₈
B-1606-13	1/8	3 ³ / ₈	4 ¹¹ / ₁₆	1 ³ / ₄
B-1606-14	1/4			1 ¹³ / ₁₆
B-1606-15	3/8			1 ⁷ / ₈
B-1606-18	1/4	4 ³ / ₈	5 ¹¹ / ₁₆	1 ¹³ / ₁₆
B-1606-19	3/8			1 ⁷ / ₈
B-1606-20	1/2			2 ¹ / ₂
B-1606-22	1/4	5 ³ / ₈	6 ¹¹ / ₁₆	1 ¹³ / ₁₆
B-1606-23	3/8			1 ⁷ / ₈
B-1606-24	1/2			2 ¹ / ₂
B-1606-26	1/4	7 ³ / ₈	8 ¹¹ / ₁₆	1 ¹³ / ₁₆
B-1606-27	3/8			1 ⁷ / ₈
B-1606-28	1/2			2 ¹ / ₂
B-1606-30	1/4	9 ³ / ₈	10 ¹¹ / ₁₆	1 ¹³ / ₁₆
B-1606-31	3/8			1 ⁷ / ₈
B-1606-32	1/2			2 ¹ / ₂
B-1606-34	1/4	12 ³ / ₈	13 ¹¹ / ₁₆	1 ¹³ / ₁₆
B-1606-35	3/8			1 ⁷ / ₈
B-1606-36	1/2			2 ¹ / ₂

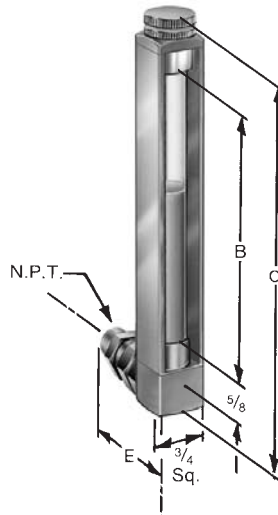
Steel Level Gages - Union Coupling & Straight

UNION COUPLING GAGES are made for applications requiring horizontal inlets and where clearance from obstructions do not permit rotating the gage for mounting. **STRAIGHT LEVEL GAGES** are made for applications requiring vertical inlet and permit direct mounting for quick response of fluid level.

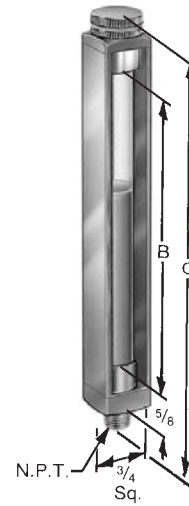
These gages are made of tough, plated steel bodies which allow visual observation of liquid level and liquid clarity.

The glass sights are compatible with many chemicals, and they will retain their clarity through various temperature changes. The tough steel channel gage will protect against glass breakage.

The gages are used on tanks, reservoirs, hydraulic equipment, presses, large motor bearings, pillow blocks, and in other applications where it is necessary to guard against a low oil level.



When Ordering Specify:
• Catalog Number

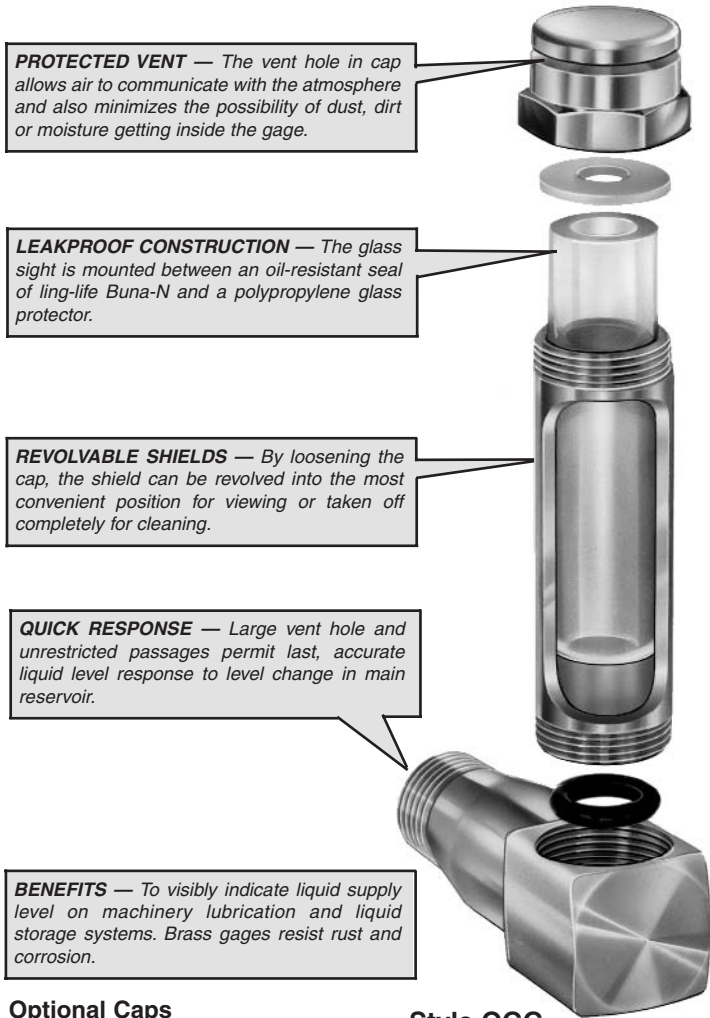


When Ordering Specify:
• Catalog Number

Union Coupling Catalog Number	N.P.T. Size	B	C	E
B-1608-1	1/8	3/4	2 ³¹ / ₃₂	1 ³ / ₄
B-1608-2	1/4			2 ⁵ / ₁₆
B-1608-3	3/8			2 ¹ / ₂
B-1608-5	1/8	1 ³ / ₈	3 ¹⁹ / ₃₂	1 ³ / ₄
B-1608-6	1/4			2 ⁵ / ₁₆
B-1608-7	3/8			2 ¹ / ₂
B-1608-9	1/8	2 ³ / ₈	4 ¹⁹ / ₃₂	1 ³ / ₄
B-1608-10	1/4			2 ⁵ / ₁₆
B-1608-11	3/8			2 ¹ / ₂
B-1608-13	1/8	3 ³ / ₈	5 ¹⁹ / ₃₂	1 ³ / ₄
B-1608-14	1/4			2 ⁵ / ₁₆
B-1608-15	3/8			2 ¹ / ₂
B-1608-18	1/4	4 ³ / ₈	6 ¹⁹ / ₃₂	2 ⁵ / ₁₆
B-1608-19	3/8			2 ¹ / ₂
B-1608-20	1/2			2 ³ / ₄
B-1608-22	1/4	5 ³ / ₈	7 ¹⁹ / ₃₂	2 ⁵ / ₁₆
B-1608-23	3/8			2 ¹ / ₂
B-1608-24	1/2			2 ³ / ₄
B-1608-26	1/4	7 ³ / ₈	9 ¹⁹ / ₃₂	2 ⁵ / ₁₆
B-1608-27	3/8			2 ¹ / ₂
B-1608-28	1/2			2 ³ / ₄
B-1608-30	1/4	9 ³ / ₈	11 ¹⁹ / ₃₂	2 ⁵ / ₁₆
B-1608-31	3/8			2 ¹ / ₂
B-1608-32	1/2			2 ³ / ₄
B-1608-34	1/4	12 ³ / ₈	14 ¹⁹ / ₃₂	2 ⁵ / ₁₆
B-1608-35	3/8			2 ¹ / ₂
B-1608-36	1/2			2 ³ / ₄

Straight Catalog Number	N.P.T. Size	B	C
B-1604-1	1/8	3/4	2 ¹³ / ₃₂
B-1604-2	1/4		2 ¹⁵ / ₃₂
B-1604-3	3/8		2 ¹⁷ / ₃₂
B-1604-5	1/8	1 ³ / ₈	3 ¹ / ₃₂
B-1604-6	1/4		3 ³ / ₃₂
B-1604-7	3/8		3 ⁵ / ₃₂
B-1604-9	1/8	2 ³ / ₈	4 ¹ / ₃₂
B-1604-10	1/4		4 ³ / ₃₂
B-1604-11	3/8		4 ⁵ / ₃₂
B-1604-13	1/8	3 ³ / ₈	5 ¹ / ₃₂
B-1604-14	1/4		5 ³ / ₃₂
B-1604-15	3/8		5 ⁵ / ₃₂
B-1604-16	1/2	4 ³ / ₈	5 ⁹ / ₃₂
B-1604-18	1/4		6 ³ / ₃₂
B-1604-19	3/8		6 ⁵ / ₃₂
B-1604-20	1/2	5 ³ / ₈	6 ⁹ / ₃₂
B-1604-22	1/4		7 ³ / ₃₂
B-1604-23	3/8		7 ⁵ / ₃₂
B-1604-24	1/2	7 ³ / ₈	7 ⁹ / ₃₂
B-1604-26	1/4		9 ³ / ₃₂
B-1604-27	3/8		9 ⁵ / ₃₂
B-1604-28	1/2	9 ³ / ₈	9 ⁹ / ₃₂
B-1604-30	1/4		11 ³ / ₃₂
B-1604-31	3/8		11 ⁵ / ₃₂
B-1604-32	1/2	12 ³ / ₈	11 ⁹ / ₃₂
B-1604-34	1/4		14 ³ / ₃₂
B-1604-35	3/8		14 ⁵ / ₃₂
B-1604-36	1/2	14 ⁹ / ₃₂	

Brass Liquid Level Gages



PROTECTED VENT — The vent hole in cap allows air to communicate with the atmosphere and also minimizes the possibility of dust, dirt or moisture getting inside the gage.

LEAKPROOF CONSTRUCTION — The glass sight is mounted between an oil-resistant seal of long-life Buna-N and a polypropylene glass protector.

REVOLVABLE SHIELDS — By loosening the cap, the shield can be revolved into the most convenient position for viewing or taken off completely for cleaning.

QUICK RESPONSE — Large vent hole and unrestricted passages permit fast, accurate liquid level response to level change in main reservoir.

BENEFITS — To visibly indicate liquid supply level on machinery lubrication and liquid storage systems. Brass gages resist rust and corrosion.

TYPICAL APPLICATIONS — Used to indicate level of lubricating oil supply at bearings, gear boxes, crank cases, transformers, switches, etc.

COMPACT DESIGN — Can be installed easily in any location having enough clearance for a one-piece oil gage. Gages can be disassembled for installation in very tight places.

SIMPLE INSTALLATION — Square shank, with pipe thread, screws horizontally or vertically into tapped hole. Options are available for difficult or irregular mountings.

QUALITY-BUILT — Shank body, cylindrical brass shield and cap are machined to close tolerances. Sights are clear, sturdy gage glass. For a leak tight seal, a Buna-N seal and a polypropylene glass protector are furnished. Other commercial seal materials are available on request.

MODIFICATIONS AVAILABLE — If desired, these elbow liquid level gages can be supplied with High or Low labels or level marks. In addition to the standard line, many special gages, similar to the ones described here, have been developed for customer's specific applications. Should you have special requirements, our engineering service is available without obligation.

SPECIFICATIONS:

- Pressure Atmospheric pressure sight is vented
- Temperature 225° F. Max.
- Body Brass
- Sight Gage Glass
- O-Ring Buna-N
- Washer Teflon
- Cap Brass
- Union Coupling Steel, Plated

NOTE: Brass gages are offered in two basic glass sight diameters, 1/2" and 5/8" inch. When modifying gage, order standard line gage catalog number along with appropriate option catalog numbers listed below.

When Ordering Specify:

- Brass Gage Catalog Number
- Option Catalog Numbers If Applicable

Optional Caps

Style OGG



Hinge Lid Catalog Number	Glass Dia.
B-2714-1	1/2
B-2716-1	5/8



Vented Screw Cap Catalog Number	Glass Dia.
B-2714-2	1/2
B-2716-2	5/8



1/4 Female N.P.T. Catalog Number	Glass Dia.
B-2714-3	1/2
B-2716-3	5/8

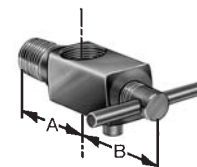
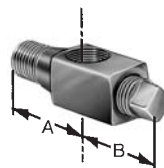


1/4 Male N.P.T. Catalog Number	Glass Dia.
B-2714-4	1/2
B-2716-4	5/8



1/4 O.D. Tube Catalog Number	Glass Dia.
B-2714-5	1/2
B-2716-5	5/8

Optional Bases



Bottom Drain Catalog Number	Glass Dia.	Elbow	N.P.T. Size	A	B
B-2715-1	1/2	Short	1/8	1 1/4	3/8
B-2715-2			1/4		
B-2715-3			3/8		
B-2715-4		Long	1/8	1 3/4	
B-2715-5			1/4		
B-2715-6			3/8		
B-2717-1	5/8	Short	1/4	1 3/4	15/32
B-2717-2			3/8		
B-2717-3			1/2		
B-2717-4		Long	1/4	2 1/2	
B-2717-5			3/8		
B-2717-6			1/2		

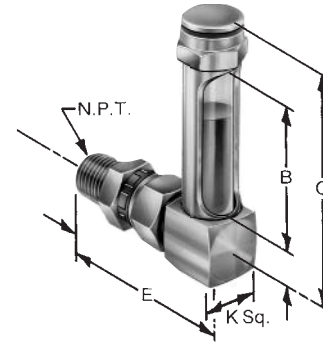
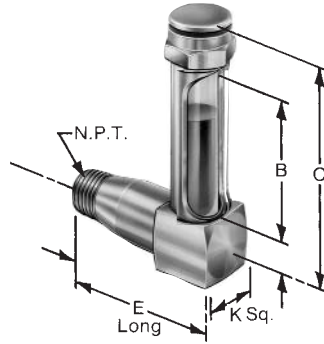
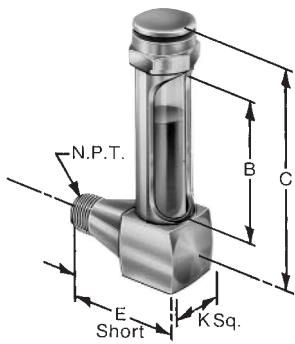
Front Drain Catalog Number	Glass Dia.	Elbow	N.P.T. Size	A	B
B-2715-11	1/2	Short	1/8	1 1/4	1 1/16
B-2715-12			1/4		
B-2715-13			3/8		
B-2715-14		Long	1/8	1 3/4	
B-2715-15			1/4		
B-2715-16			3/8		
B-2717-11	5/8	Short	1/4	1 3/4	7/8
B-2717-12			3/8		
B-2717-13			1/2		
B-2717-14		Long	1/4	2 1/2	
B-2717-15			3/8		
B-2717-16			1/2		

Valve Drain Catalog Number	Glass Dia.	Elbow	N.P.T. Size	A	B Max.
B-2715-21	1/2	Short	1/8	1 1/4	1 11/16
B-2715-22			1/4		
B-2715-23			3/8		
B-2715-24		Long	1/8	1 3/4	
B-2715-25			1/4		
B-2715-26			3/8		
B-2717-21	5/8	Short	1/4	1 3/4	1 11/16
B-2717-22			3/8		
B-2717-23			1/2		
B-2717-24		Long	1/4	2 1/2	
B-2717-25			3/8		
B-2717-26			1/2		

Brass Level Gages - Elbow & Union Coupling

SHORT ELBOW BRASS GAGES are for applications requiring horizontal inlets with minimal clearance for mounting.

LONG ELBOW BRASS GAGES are for applications requiring horizontal inlets which need additional clearance.



UNION COUPLING BRASS GAGES are for applications requiring horizontal inlets. They are used in areas where clearance from obstructions do not permit rotating the gage for assembly.

The brass level gages for visibly indicating liquid levels are rugged, machined from brass stock and have glass sights which are protected by revolvable shields. A protected vent hole in the cap reduces the possibility of dust, dirt or moisture getting inside the gage.

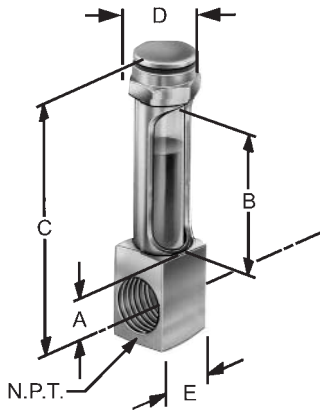
Short Elbow Catalog No.	Long Elbow Catalog No.	Glass Dia.	N.P.T. Size	B	C	Short E	Long E	K			
B-1138-1	B-1149-1	1/2	1/8	1 1/32	1 15/16	1 1/4	1 3/4	1 1/16			
B-1138-2	B-1149-2		1/4								
B-1138-3	B-1149-3		3/8								
B-1138-4	B-1149-4		1/8	1 17/32	2 7/16						
B-1138-5	B-1149-5		1/4								
B-1138-6	B-1149-6		3/8								
B-1138-7	B-1149-7		1/8	2 1/32	2 15/16						
B-1138-8	B-1149-8		1/4								
B-1138-9	B-1149-9		3/8								
B-1138-10	B-1149-10		1/8	2 17/32	3 7/16						
B-1138-11	B-1149-11		1/4								
B-1138-12	B-1149-12		3/8								
B-1138-13	B-1149-13		1/8	3 1/32	3 15/16						
B-1138-14	B-1149-14		1/4								
B-1138-15	B-1149-15		3/8								
B-1138-16	B-1149-16		1/8	3 17/32	4 7/16				1 1/4	1 3/4	1 1/16
B-1138-17	B-1149-17		1/4								
B-1138-18	B-1149-18		3/8								
B-1138-19	B-1149-19		1/8	4 1/32	4 15/32						
B-1138-20	B-1149-20		1/4								
B-1138-21	B-1149-21		3/8								
B-1138-22	B-1149-22		1/8	4 17/32	5 7/16						
B-1138-23	B-1149-23		1/4								
B-1138-24	B-1149-24		3/8								
B-1138-25	B-1149-25		1/8	5 17/32	6 7/16						
B-1138-26	B-1149-26		1/4								
B-1138-27	B-1149-27		3/8								
B-1138-28	B-1149-28		1/8	6 17/32	7 7/16						
B-1138-29	B-1149-29		1/4								
B-1138-30	B-1149-30		3/8								
B-1138-31	B-1149-31		1/8	7 17/32	8 7/16						
B-1138-32	B-1149-32		1/4								
B-1138-33	B-1149-33		3/8								
B-1139-1	B-1150-1	5/8	1/4	4 13/32	5 1/2	1 3/4	2 1/2	7/8			
B-1139-2	B-1150-2		3/8								
B-1139-3	B-1150-3		1/2								
B-1139-4	B-1150-4		1/4	5 21/32	6 3/4						
B-1139-5	B-1150-5		3/8								
B-1139-6	B-1150-6		1/2								
B-1139-7	B-1150-7		1/4	7 21/32	8 3/4						
B-1139-8	B-1150-8		3/8								
B-1139-9	B-1150-9		1/2								
B-1139-10	B-1150-10		1/4	9 21/32	10 3/4						
B-1139-11	B-1150-11		3/8								
B-1139-12	B-1150-12		1/2								
B-1139-13	B-1150-13		1/4	12 21/32	13 3/4						
B-1139-14	B-1150-14		3/8								
B-1139-15	B-1150-15		1/2								

Union Cplng Cat. No.	Glass Dia.	N.P.T. Size	B	C	E	K	
B-1357-1	1/2	1/8	1 1/32	1 15/16	1 1/2	1 1/16	
B-1357-2		1/4					2
B-1357-3		3/8					2 1/8
B-1357-4		1/8	1 17/32	2 7/16	1 1/2		
B-1357-5		1/4			2		
B-1357-6		3/8			2 1/8		
B-1357-7		1/8	2 1/32	2 15/16	1 1/2		
B-1357-8		1/4			2		
B-1357-9		3/8			2 1/8		
B-1357-10		1/8	2 17/32	3 7/16	1 1/2		
B-1357-11		1/4			2		
B-1357-12		3/8			2 1/8		
B-1357-13		1/8	3 1/32	3 15/16	1 1/2		
B-1357-14		1/4			2		
B-1357-15		3/8			2 1/8		
B-1357-16		1/8	3 17/32	4 7/16	1 1/2		
B-1357-17		1/4			2		
B-1357-18		3/8			2 1/8		
B-1357-19		1/8	4 1/32	4 15/16	1 1/2		
B-1357-20		1/4			2		
B-1357-21		3/8			2 1/8		
B-1357-22		1/8	4 17/32	5 7/16	1 1/2		
B-1357-23		1/4			2		
B-1357-24		3/8			2 1/8		
B-1357-25		1/8	5 17/32	6 7/16	1 1/2		
B-1357-26		1/4			2		
B-1357-27		3/8			2 1/8		
B-1357-28		1/8	6 17/32	7 7/16	1 1/2		
B-1357-29		1/4			2		
B-1357-30		3/8			2 1/8		
B-1357-31		1/8	7 17/32	8 7/16	1 1/2		
B-1357-32		1/4			2		
B-1357-33		3/8			2 1/8		
B-2574-1	5/8	1/4	4 13/32	5 7/16	2 1/2	7/8	
B-2574-2		3/8					
B-2574-3		1/2					
B-2574-4		1/4	5 21/32	6 11/16			
B-2574-5		3/8					
B-2574-6		1/2					
B-2574-7		1/4	7 21/32	8 11/16			
B-2574-8		3/8					
B-2574-9		1/2					
B-2574-10		1/4	9 21/32	10 11/16			
B-2574-11		3/8					
B-2574-12		1/2					
B-2574-13		1/4	12 21/32	13 11/16			
B-2574-14		3/8					
B-2574-15		1/2					

Brass Level Gages - Elbow & Straight

ELBOW BRASS GAGES WITH FEMALE INLET are primarily used for applications requiring horizontal inlets and where a normal pipe nipple is used to extend the gage from the application due to clearance of mounting bolts or other irregularities.

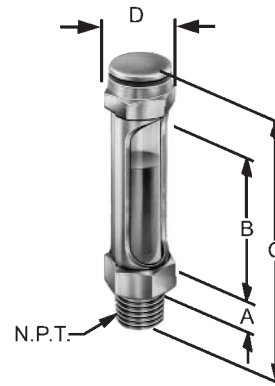
STRAIGHT BRASS GAGES with shielded sight are for



Elbow Cat. No.	Glass Dia.	N.P.T. Size	A	B	C	D	E																				
B-2577-1		1/8	3/4	1 1/32	2 5/16	11/16	7/8																				
B-2577-2		1/4																									
B-2577-3		3/8																									
B-2577-4		1/8		1 17/32	2 13/16			11/16	7/8																		
B-2577-5		1/4																									
B-2577-6		3/8																									
B-2577-7		1/8		2 1/32	3 5/16					11/16	7/8																
B-2577-8		1/4																									
B-2577-9		3/8																									
B-2577-10		1/8		2 17/32	3 13/16							11/16	7/8														
B-2577-11		1/4																									
B-2577-12		3/8																									
B-2577-13		1/8		3 1/32	4 5/16									11/16	7/8												
B-2577-14		1/4																									
B-2577-15		3/8																									
B-2577-16		1/8		3 17/32	4 13/16											11/16	7/8										
B-2577-17	1/2	1/4																									
B-2577-18		3/8																									
B-2577-19		1/8		4 1/32	5 5/16													11/16	7/8								
B-2577-20		1/4																									
B-2577-21		3/8																									
B-2577-22		1/8		4 17/32	5 13/16															11/16	7/8						
B-2577-23		1/4																									
B-2577-24		3/8																									
B-2577-25		1/8		5 17/32	6 13/16																	11/16	7/8				
B-2577-26		1/4																									
B-2577-27		3/8																									
B-2577-28		1/8		6 17/32	7 13/16																			11/16	7/8		
B-2577-29		1/4																									
B-2577-30		3/8																									
B-2577-31		1/8		7 17/32	8 13/16																					11/16	7/8
B-2577-32		1/4																									
B-2577-33		3/8																									
B-2579-1		1/4	15/16	4 13/32	5 29/32	13/16	1 1/8																				
B-2579-2		3/8																									
B-2579-3		1/2																									
B-2579-4		1/4		5 21/32	7 5/32			13/16	1 1/8																		
B-2579-5		3/8																									
B-2579-6		1/2																									
B-2579-7		1/4		7 21/32	9 5/32					13/16	1 1/8																
B-2579-8	5/8	3/8																									
B-2579-9		1/2																									
B-2579-10		1/4		9 21/32	11 5/32							13/16	1 1/8														
B-2579-11		3/8																									
B-2579-12		1/2																									
B-2579-13		1/4		12 21/32	14 5/32									13/16	1 1/8												
B-2579-14		3/8																									
B-2579-15		1/2																									

applications requiring vertical inlet and permit direct mounting for rapid transfer of fluid.

The brass gages are rugged, machined from brass stock and the sight is protected by a revolvable shield. A protected vent hole in the cap reduces the possibility of dust, dirt or moisture getting inside the gage.



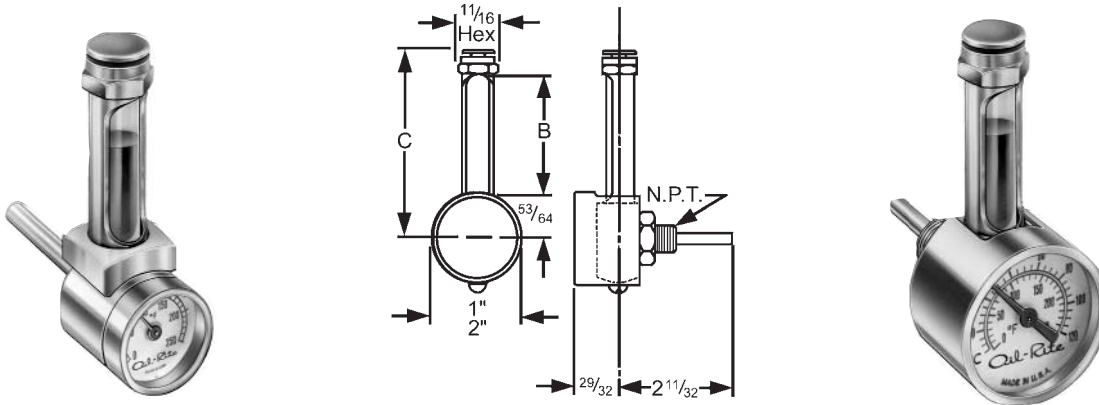
Straight Cat. No.	Glass Dia.	N.P.T. Size	A	B	C	D										
B-1144-1		1/8	13/32	1 1/32	2 3/8	11/16										
B-1144-2		1/4			2 7/16											
B-1144-3		3/8			2 1/2											
B-1144-4		1/8		1 17/32	2 7/8		11/16									
B-1144-5		1/4			2 15/16											
B-1144-6		3/8			3											
B-1144-7		1/8		2 1/32	3 3/8			11/16								
B-1144-8		1/4			3 1/16											
B-1144-9		3/8			3 1/2											
B-1144-10		1/8		2 17/32	3 7/8				11/16							
B-1144-11		1/4			3 15/16											
B-1144-12		3/8			4											
B-1144-13		1/8		3 1/32	4 3/8					11/16						
B-1144-14		1/4			4 7/16											
B-1144-15		3/8			4 1/2											
B-1144-16		1/8		3 17/32	4 7/8						11/16					
B-1144-17	1/2	1/4			4 15/16											
B-1144-18		3/8			5											
B-1144-19		1/8		4 1/32	5 3/8							11/16				
B-1144-20		1/4			5 1/16											
B-1144-21		3/8			5 1/2											
B-1144-22		1/8		4 17/32	5 5/8								11/16			
B-1144-23		1/4			5 15/16											
B-1144-24		3/8			6											
B-1144-25		1/8		5 17/32	6 7/8									11/16		
B-1144-26		1/4			6 15/16											
B-1144-27		3/8			7											
B-1144-28		1/8		6 17/32	7 7/8										11/16	
B-1144-29		1/4			7 15/16											
B-1144-30		3/8			8											
B-1144-31		1/8		7 17/32	8 7/8											11/16
B-1144-32		1/4			8 15/16											
B-1144-33		3/8			9											
B-1145-1		1/4	13/32	4 13/32	5 7/8	13/16										
B-1145-2		3/8			5 7/8											
B-1145-3		1/2			6											
B-1145-4		1/4		5 21/32	7 1/8		13/16									
B-1145-5		3/8			7 1/8											
B-1145-6		1/2			7 1/4											
B-1145-7		1/4		7 21/32	9 1/8			13/16								
B-1145-8	5/8	3/8			9 1/8											
B-1145-9		1/2			9 1/4											
B-1145-10		1/4		9 21/32	11 1/8				13/16							
B-1145-11		3/8			11 1/8											
B-1145-12		1/2			11 1/4											
B-1145-13		1/4		12 21/32	14 1/8					13/16						
B-1145-14		3/8			14 1/8											
B-1145-15		1/2			14 1/4											

Brass Level Gages - Elbow with Thermometer

ELBOW BRASS GAGES with 1" & 2" THERMOMETER are made for applications requiring visual indication of both liquid level and liquid temperature.

The brass level gages are rugged, machined from brass stock and have glass sights which are protected by

revolvable shields. A protected vent hole in the cap reduces the possibility of dust, dirt or moisture getting inside the gages. Temperature is indicated in Fahrenheit and Celsius for the 2" thermometer and Fahrenheit for the 1" thermometer. The larger dial facilitates easy viewing from a distance.



1" Thermo Cat. No.	Glass Dia.	N.P.T. Size	B	C
B-2583-1	1/2	1/4	1 1/32	2 3/8
B-2583-2		3/8		
B-2583-3		1/2		
B-2583-4		3/4		
B-2583-5		1/4	1 17/32	2 7/8
B-2583-6		3/8		
B-2583-7		1/2		
B-2583-8		3/4		
B-2583-9		1/4	2 1/32	3 3/8
B-2583-10		3/8		
B-2583-11		1/2		
B-2583-12		3/4		
B-2583-13		1/4	2 17/32	3 7/8
B-2583-14		3/8		
B-2583-15		1/2		
B-2583-16		3/4		
B-2583-17		1/4	3 1/32	4 3/8
B-2583-18		3/8		
B-2583-19		1/2		
B-2583-20		3/4		
B-2583-21		1/4	3 17/32	4 7/8
B-2583-22		3/8		
B-2583-23		1/2		
B-2583-24		3/4		
B-2583-25		1/4	4 1/32	5 3/8
B-2583-26		3/8		
B-2583-27		1/2		
B-2583-28		3/4		
B-2583-29		1/4	4 17/32	5 7/8
B-2583-30		3/8		
B-2583-31		1/2		
B-2583-32		3/4		
B-2583-33		1/4	5 17/32	6 7/8
B-2583-34		3/8		
B-2583-35		1/2		
B-2583-36		3/4		
B-2583-37		1/4	6 17/32	7 7/8
B-2583-38		3/8		
B-2583-39		1/2		
B-2583-40		3/4		
B-2583-41		1/4	7 17/32	8 7/8
B-2583-42		3/8		
B-2583-43		1/2		
B-2583-44		3/4		

2" Thermo Cat. No.	Glass Dia.	N.P.T. Size	B	C
B-2581-1	1/2	1/4	1 1/32	2 3/8
B-2581-2		3/8		
B-2581-3		1/2		
B-2581-4		3/4		
B-2581-5		1/4	1 17/32	2 7/8
B-2581-6		3/8		
B-2581-7		1/2		
B-2581-8		3/4		
B-2581-9		1/4	2 1/32	3 3/8
B-2581-10		3/8		
B-2581-11		1/2		
B-2581-12		3/4		
B-2581-13		1/4	2 17/32	3 7/8
B-2581-14		3/8		
B-2581-15		1/2		
B-2581-16		3/4		
B-2581-17		1/4	3 1/32	4 3/8
B-2581-18		3/8		
B-2581-19		1/2		
B-2581-20		3/4		
B-2581-21		1/4	3 17/32	4 7/8
B-2581-22		3/8		
B-2581-23		1/2		
B-2581-24		3/4		
B-2581-25		1/4	4 1/32	5 3/8
B-2581-26		3/8		
B-2581-27		1/2		
B-2581-28		3/4		
B-2581-29		1/4	4 17/32	5 7/8
B-2581-30		3/8		
B-2581-31		1/2		
B-2581-32		3/4		
B-2581-33		1/4	5 17/32	6 7/8
B-2581-34		3/8		
B-2581-35		1/2		
B-2581-36		3/4		
B-2581-37		1/4	6 17/32	7 7/8
B-2581-38		3/8		
B-2581-39		1/2		
B-2581-40		3/4		
B-2581-41		1/4	7 17/32	8 7/8
B-2581-42		3/8		
B-2581-43		1/2		
B-2581-44		3/4		

Rigid Plastic Liquid Level Gages

TYPICAL APPLICATIONS — Used to indicate level of lubricating oil supply at bearings, gear boxes, crank cases, transformers, switches, etc.

COMPACT DESIGN — Can be installed easily in any location having enough clearance for a one-piece oil gage.

SIMPLE INSTALLATION — Square shank with pipe thread screws horizontally or vertically into tapped hole. Options are available for difficult or irregular mountings.

QUALITY-BUILT — Shank body, reflector and cap are machined to close tolerance. Sights are clear extrusion with wide-angle viewing and will withstand a tremendous amount of duress. For a leak-tight seal, Buna-N seals are furnished as standard. Other commercial seal materials are available.

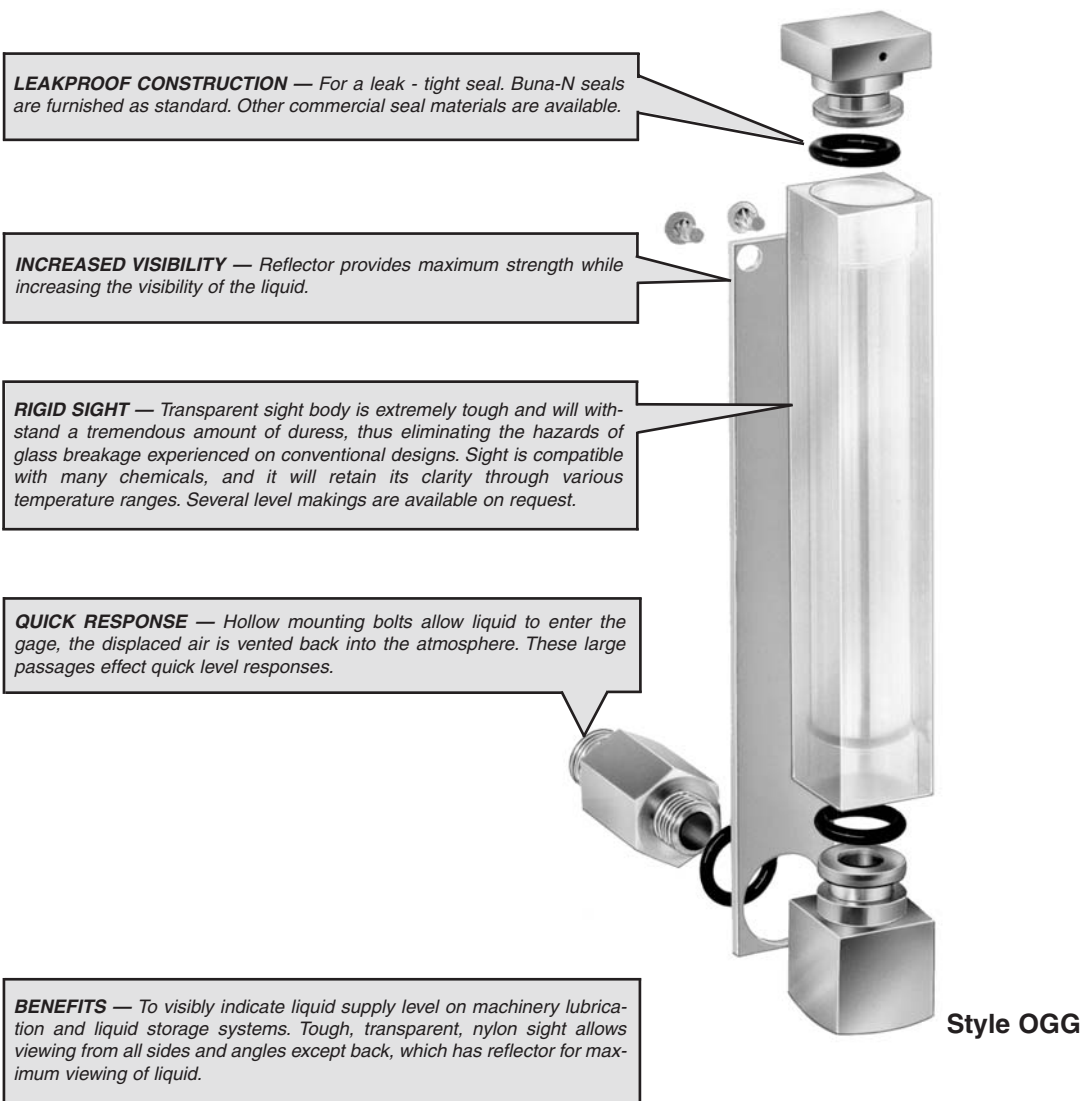
MODIFICATIONS AVAILABLE — If desired, the elbow level gages can be supplied with lower or higher viewing sights or level markings. In addition to the standard line, many special gages, similar to the ones described here, have been developed for customer's specific applications. Should you have special requirements, our engineering service is available without obligation.

SPECIFICATIONS:

- Pressure Atmospheric Pressure Sight is Vented
- Temperature 205° F. Max.
- Mtg. Studs Steel, Plated
- Sights Transparent Nylon
- Seals Buna-N
- End Blocks Aluminum Alloy

When Ordering Specify:

- Catalog Number
- 1" or 2" Thermometer if Applicable



Rigid Plastic Level Gages-Short & Long Elbow

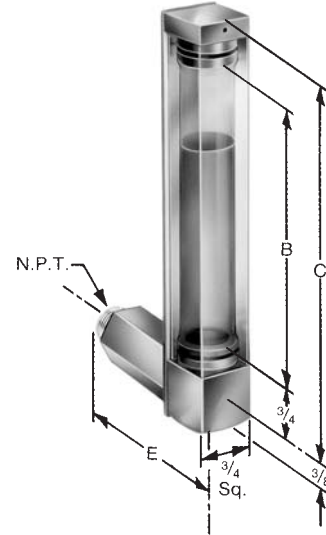
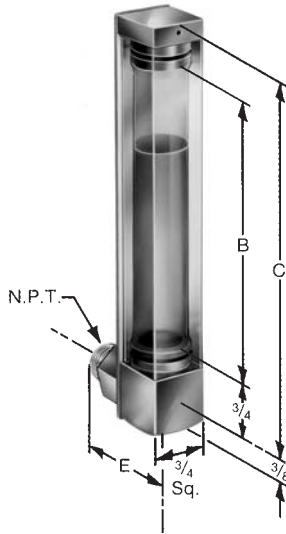
SHORT/LONG ELBOW GAGES are made for applications requiring horizontal inlets.

These gages are made of tough, transparent, nylon bodies. They allow visual observation of liquid level and liquid clarity from all possible sides and angles except the back, which has a reflector for maximum visibility of liquid.

The transparent sights are compatible with many chemicals, and they will retain their clarity through various temperature changes. The tough nylon can withstand a tremendous amount

of duress, thus eliminating the hazards of glass breakage experienced on conventional designs. The absence of a shield is responsible for the increased visibility as no protection for the nylon body is necessary.

The gages are used on tanks, reservoirs, hydraulic equipment, presses, large motor bearings, pillow blocks, and in other applications where it is necessary to guard against a low oil level.



Short Elbow Cat. No.	N.P.T. Size	B	C	E
B-1864-1	1/8	7/8	2 1/4	1 5/16
B-1864-2	1/4			1 3/8
B-1864-3	3/8			1 7/16
B-1864-5	1/8	1 1/2	2 7/8	1 5/16
B-1864-6	1/4			1 3/8
B-1864-7	3/8			1 7/16
B-1864-9	1/8	2 1/2	3 7/8	1 5/16
B-1864-10	1/4			1 3/8
B-1864-11	3/8			1 7/16
B-1864-13	1/8	3 1/2	4 7/8	1 5/16
B-1864-14	1/4			1 3/8
B-1864-15	3/8			1 7/16
B-1864-18	1/4	4 1/2	5 7/8	1 3/8
B-1864-19	3/8			1 7/16
B-1864-20	1/2			1 13/16
B-1864-22	1/4	5 1/2	6 7/8	1 3/8
B-1864-23	3/8			1 7/16
B-1864-24	1/2			1 13/16
B-1864-26	1/4	7 1/2	8 7/8	1 3/8
B-1864-27	3/8			1 7/16
B-1864-28	1/2			1 13/16
B-1864-30	1/4	9 1/2	10 7/8	1 3/8
B-1864-31	3/8			1 7/16
B-1864-32	1/2			1 13/16
B-1864-34	1/4	12 1/2	13 7/8	1 3/8
B-1864-35	3/8			1 7/16
B-1864-36	1/2			1 13/16

Long Elbow Cat. No.	N.P.T. Size	B	C	E
B-1865-1	1/8	7/8	2 1/4	1 13/16
B-1865-2	1/4			1 7/8
B-1865-3	3/8			1 15/16
B-1865-5	1/8	1 1/2	2 7/8	1 13/16
B-1865-6	1/4			1 7/8
B-1865-7	3/8			1 15/16
B-1865-9	1/8	2 1/2	3 7/8	1 13/16
B-1865-10	1/4			1 7/8
B-1865-11	3/8			1 15/16
B-1865-13	1/8	3 1/2	4 7/8	1 13/16
B-1865-14	1/4			1 7/8
B-1865-15	3/8			1 15/16
B-1865-18	1/4	4 1/2	5 7/8	1 7/8
B-1865-19	3/8			1 15/16
B-1865-20	1/2			2 9/16
B-1865-22	1/4	5 1/2	6 7/8	1 7/8
B-1865-23	3/8			1 15/16
B-1865-24	1/2			2 9/16
B-1865-26	1/4	7 1/2	8 7/8	1 7/8
B-1865-27	3/8			1 15/16
B-1865-28	1/2			2 9/16
B-1865-30	1/4	9 1/2	10 7/8	1 7/8
B-1865-31	3/8			1 15/16
B-1865-32	1/2			2 9/16
B-1865-34	1/4	12 1/2	13 7/8	1 7/8
B-1865-35	3/8			1 15/16
B-1865-36	1/2			2 9/16

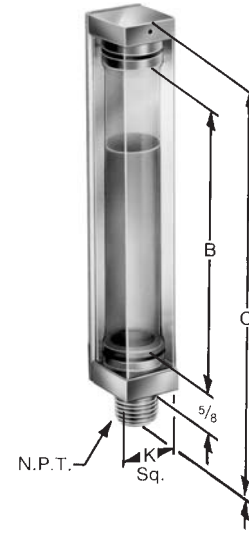
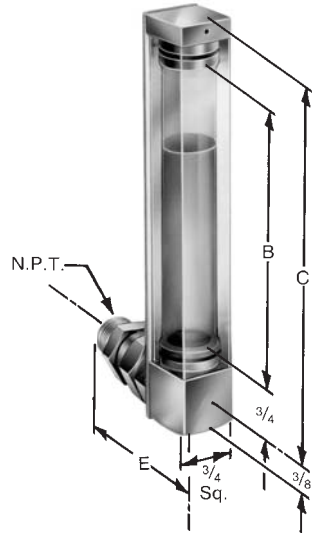
Rigid Plastic Level Gages-Union Coupling & Straight

UNION COUPLING GAGES are made for applications requiring horizontal inlets and where clearance from obstructions do not permit rotating the gage for mounting. **STRAIGHT LEVEL GAGES** are made for applications requiring vertical inlet and permit direct mounting for quick response of fluid level.

These gages are made of tough, transparent, nylon bodies which allow visual observation of liquid level and liquid clarity from all possible sides and angles except the back, which has a reflector for maximum visibility of liquid.

The transparent sights are compatible with many chemicals, and they will retain their clarity through various temperature changes. The tough nylon can withstand a tremendous amount of duress, thus eliminating the hazards of glass breakage experienced on conventional designs. The absence of a shield is responsible for the increased visibility as no protection for the nylon body is necessary.

The gages are used on tanks, reservoirs, hydraulic equipment, presses, large motor bearings, pillow blocks, and in other applications where it is necessary to guard against a low oil level.



Union Cplng Cat. No.	N.P.T. Size	B	C	E
B-1867-1	1/8	7/8	2 ⁵ / ₈	1 ⁷ / ₈
B-1867-2	1/4			2 ⁷ / ₁₆
B-1867-3	3/8			2 ⁵ / ₈
B-1867-5	1/8	1 ¹ / ₂	3 ¹ / ₄	1 ⁷ / ₈
B-1867-6	1/4			2 ⁷ / ₁₆
B-1867-7	3/8			2 ⁵ / ₈
B-1867-9	1/8	2 ¹ / ₂	4 ¹ / ₄	1 ⁷ / ₈
B-1867-10	1/4			2 ⁷ / ₁₆
B-1867-11	3/8			2 ⁵ / ₈
B-1867-13	1/8	3 ¹ / ₂	5 ¹ / ₄	1 ⁷ / ₈
B-1867-14	1/4			2 ⁷ / ₁₆
B-1867-15	3/8			2 ⁵ / ₈
B-1867-18	1/4	4 ¹ / ₂	6 ¹ / ₄	2 ⁵ / ₈
B-1867-19	3/8			2 ⁵ / ₈
B-1867-20	1/2			2 ⁷ / ₈
B-1867-22	1/4	5 ¹ / ₂	7 ¹ / ₄	2 ⁷ / ₁₆
B-1867-23	3/8			2 ⁵ / ₈
B-1867-24	1/2			2 ⁷ / ₈
B-1867-26	1/4	7 ¹ / ₂	9 ¹ / ₄	2 ⁷ / ₁₆
B-1867-27	3/8			2 ⁵ / ₈
B-1867-28	1/2			2 ⁷ / ₈
B-1867-30	1/4	9 ¹ / ₂	11 ¹ / ₄	2 ⁷ / ₁₆
B-1867-31	3/8			2 ⁵ / ₈
B-1867-32	1/2			2 ⁷ / ₈
B-1867-34	1/4	12 ¹ / ₂	14 ¹ / ₄	2 ⁷ / ₁₆
B-1867-35	3/8			2 ⁵ / ₈
B-1867-36	1/2			2 ⁷ / ₈

Straight Cat. No.	N.P.T. Size	B	C	K
B-1868-1	1/8	7/8	2 ¹ / ₂	3/4
B-1868-2	1/4		2 ⁹ / ₁₆	
B-1868-3	3/8		2 ⁵ / ₈	
B-1868-5	1/8	1 ¹ / ₂	3 ¹ / ₈	
B-1868-6	1/4		3 ³ / ₁₆	
B-1868-7	3/8		3 ¹ / ₄	
B-1868-9	1/8	2 ¹ / ₂	4 ¹ / ₈	
B-1868-10	1/4		4 ³ / ₁₆	
B-1868-11	3/8		4 ¹ / ₄	
B-1868-13	1/8	3 ¹ / ₂	5 ¹ / ₈	
B-1868-14	1/4		5 ³ / ₁₆	
B-1868-15	3/8		5 ¹ / ₄	
B-1868-18	1/4	4 ¹ / ₂	6 ³ / ₁₆	
B-1868-19	3/8		6 ¹ / ₄	
B-1868-20	1/2		6 ³ / ₈	
B-1868-22	1/4	5 ¹ / ₂	7 ³ / ₁₆	
B-1868-23	3/8		7 ¹ / ₄	
B-1868-24	1/2		7 ³ / ₈	
B-1868-26	1/4	7 ¹ / ₂	9 ³ / ₁₆	
B-1868-27	3/8		9 ¹ / ₄	
B-1868-28	1/2		9 ³ / ₈	
B-1868-30	1/4	9 ¹ / ₂	11 ³ / ₁₆	
B-1868-31	3/8		11 ¹ / ₄	
B-1868-32	1/2		11 ³ / ₈	
B-1868-34	1/4	12 ¹ / ₂	14 ³ / ₁₆	
B-1868-35	3/8		14 ¹ / ₄	
B-1868-36	1/2		14 ³ / ₈	



P. O. BOX 1207, MANITOWOC, WI 54221-1207 (920) 682-6173 FAX (920) 682-7699
Internet <http://www.oilrite.com> e-mail sales@oilrite.com

Rigid Plastic Level Gages-Union Coupling & Straight

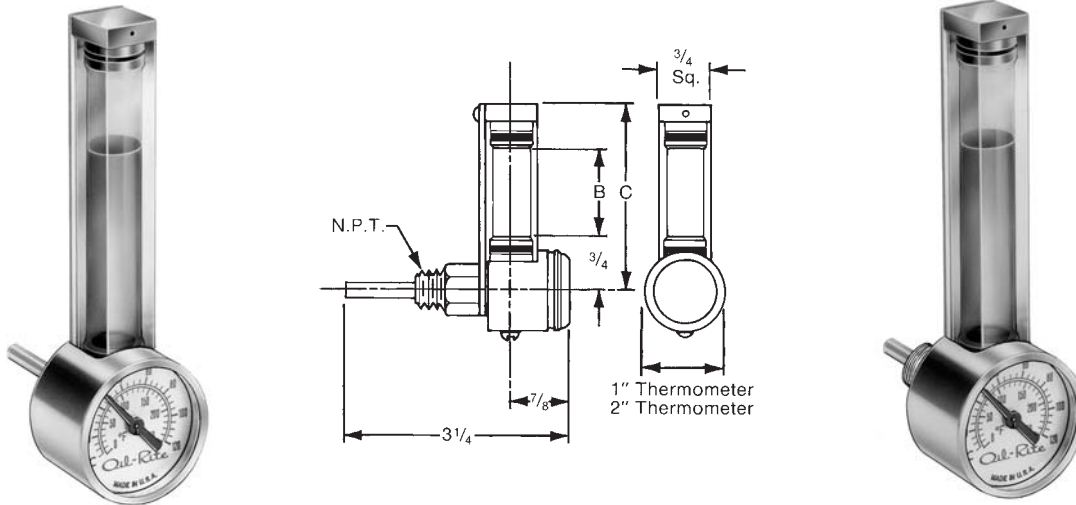
Rigid Plastic Level Gages-Thermometer

SHORT ELBOW THERMOMETER GAGES are made for applications requiring visual indication of both liquid level and liquid temperature, and where application requires horizontal inlets with additional clearance for mounting. They are available in both 1" and 2" thermometer dials.

LONG ELBOW THERMOMETER GAGES are made for applications requiring visual indication of both liquid level and liquid temperature, also where the application requires horizontal inlets with additional clearance for mounting. They are available in both 1" and 2" thermometer dials.

These gages are made of tough, transparent nylon bodies, which allows visual observation of liquid level and liquid clarity from all possible sides and angles except the back, which has a reflector for maximum visibility of liquid.

The tough nylon sights are compatible with many chemicals and will retain their clarity through various temperature ranges. They can withstand a tremendous amount of duress, thus eliminating the hazards of glass breakage experienced on conventional designs. The absence of a shield is responsible for the increased visibility as no protection for the nylon body is necessary.



When Ordering Specify: 1" or 2" Thermometer

When Ordering Specify: 1" or 2" Thermometer

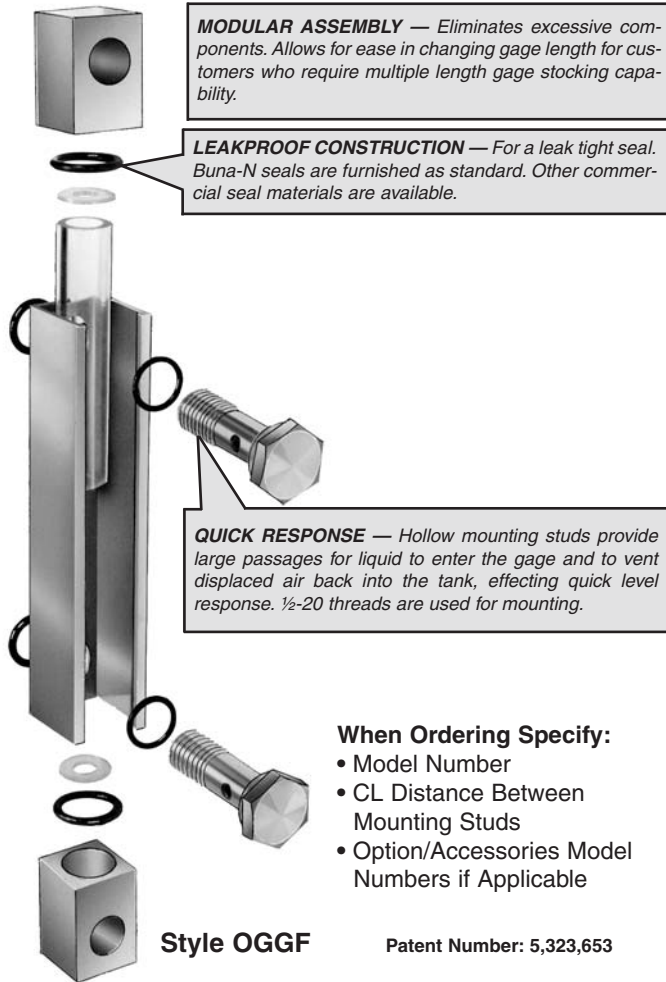
Short Therm. Cat. No.	N.P.T. Size	B	C
B-1873-1	1/8		
B-1873-2	1/4	7/8	2 1/4
B-1873-3	3/8		
B-1873-5	1/8		
B-1873-6	1/4	1 1/2	2 7/8
B-1873-7	3/8		
B-1873-9	1/8		
B-1873-10	1/4	2 1/2	3 7/8
B-1873-11	3/8		
B-1873-13	1/8		
B-1873-14	1/4	3 1/2	4 7/8
B-1873-15	3/8		
B-1873-18	1/4		
B-1873-19	3/8	4 1/2	5 7/8
B-1873-20	1/2		
B-1873-22	1/4		
B-1873-23	3/8	5 1/2	6 7/8
B-1873-24	1/2		
B-1873-26	1/4		
B-1873-27	3/8	7 1/2	8 7/8
B-1873-28	1/2		
B-1873-30	1/4		
B-1873-31	3/8	9 1/2	10 7/8
B-1873-32	1/2		
B-1873-34	1/4		
B-1873-35	3/8	12 1/2	13 7/8
B-1873-36	1/2		

Long Therm. Cat. No.	N.P.T. Size	B	C
B-1874-1	1/8		
B-1874-2	1/4	7/8	2 1/4
B-1874-3	3/8		
B-1874-5	1/8		
B-1874-6	1/4	1 1/2	2 7/8
B-1874-7	3/8		
B-1874-9	1/8		
B-1874-10	1/4	2 1/2	3 7/8
B-1874-11	3/8		
B-1874-13	1/8		
B-1874-14	1/4	3 1/2	4 7/8
B-1874-15	3/8		
B-1874-18	1/4		
B-1874-19	3/8	4 1/2	5 7/8
B-1874-20	1/2		
B-1874-22	1/4		
B-1874-23	3/8	5 1/2	6 7/8
B-1874-24	1/2		
B-1874-26	1/4		
B-1874-27	3/8	7 1/2	8 7/8
B-1874-28	1/2		
B-1874-30	1/4		
B-1874-31	3/8	9 1/2	10 7/8
B-1874-32	1/2		
B-1874-34	1/4		
B-1874-35	3/8	12 1/2	13 7/8
B-1874-36	1/2		

Rigid Plastic Gages-Thermometer



Channel Level Gages ...Flush - Aluminum



ALUMINUM LEVEL GAGES can be mounted flush against the outside surface of a liquid reservoir with only a small amount of protrusion.

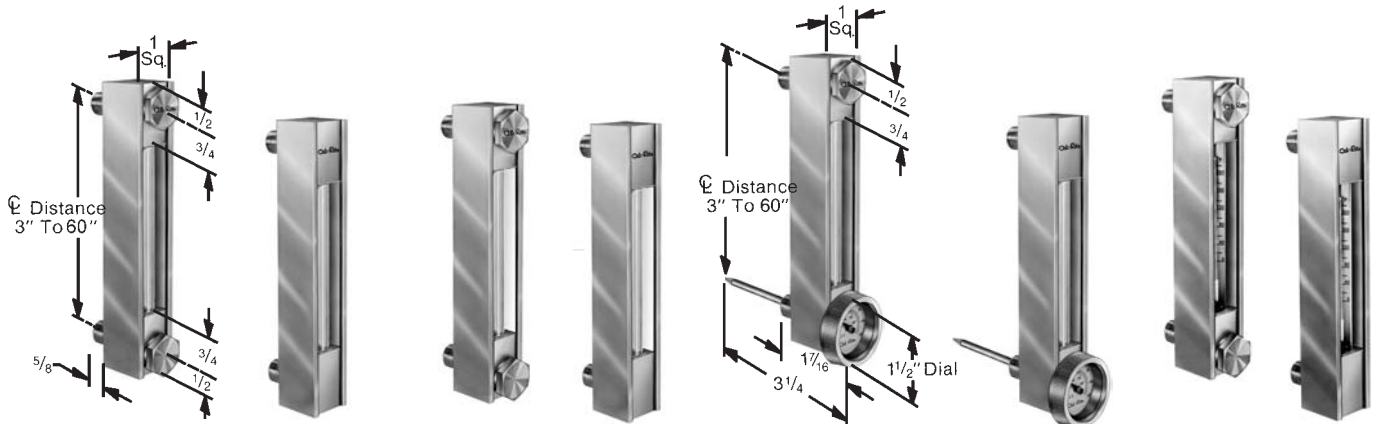
Liquid level gages for flush mounting are used for a multitude of applications, such as on tanks, reservoirs, packaged hydraulic equipment, large steel mill pumps, hydraulic presses, and for any other application where it is desirable to indicate liquid levels.

Liquid level gages are used to determine the liquid level inside a metal reservoir by visual observation of the level in a transparent sight. The clarity and condition of the liquid can also be checked, and models with a thermometer will show the temperature of the liquid as well.

Back mounting gages are used on tanks permitting access to the inside in order to fasten the nuts on the mounting studs, inserted in drilled holes in reservoirs, Front mounting gages are used on reservoirs which do NOT permit access to the inside, therefore, the tank must have two tapped holes, 1/2 - 20, to receive the mounting studs, which are fastened from the outside.

SPECIFICATIONS:

- Pressure 150 P.S.I. Max.
- Temperature 225° F. Max.
- Centerline Distance Between Mtg. Holes 3" to 60" in 1" increments
- Shield Aluminum
- End Blocks Aluminum
- Sight Gages Glass-Clear
- Seals Buna-N
- Studs Steel, Plated 1/2-20 Thread



Plain		White Background		1 1/2" Dial Thermometer		Dual Scale Thermo	
Front Mounting	Back Mounting	Front Mtg.	Back Mtg.	Front Mtg. Therm.	Back Mtg. Therm.	Front Mtg.	Back Mtg.
B-3100-1	B-3097-1	B-3100-3	B-3097-3	B-3100-4	B-3097-4	B-3100-5	B-3097-5

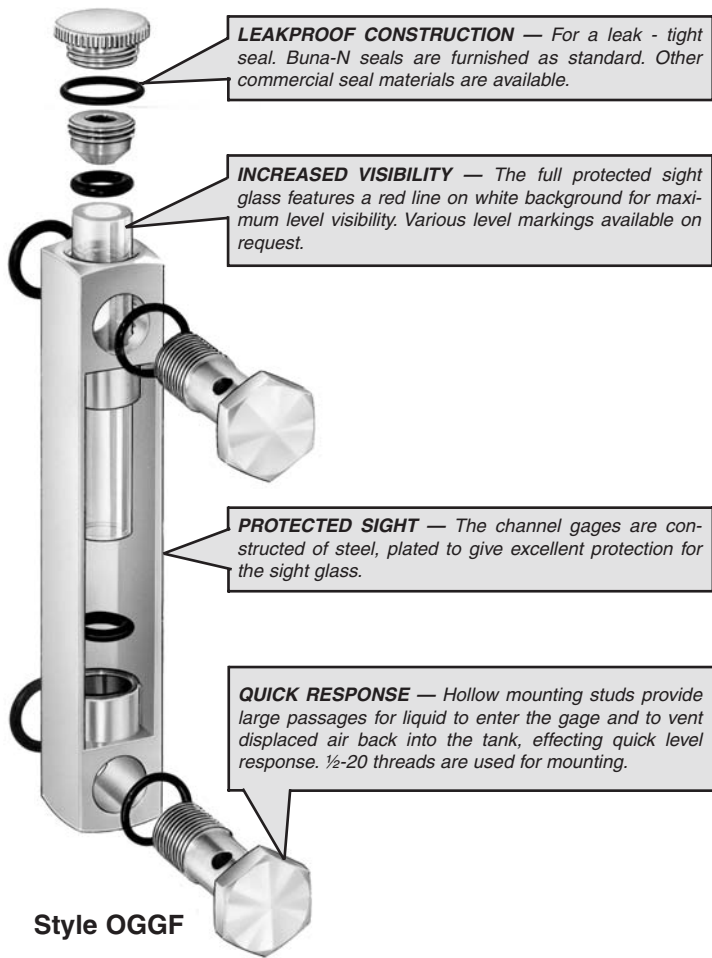


Option & Accessories	Shutoff Stud for Front Mtg. Gage	Tank Plug for Gage Removal	Straight Thread to N.P.T. Adapter		Support Bracket	Replacement Seal Kits	
			3/8" N.P.T.	1/2" N.P.T.		Front Mtg.	Back Mtg.
Part Number	A-5570-1	A-3580-1	B-1656-4	B-1572-2	A-2860-1	A-5438-1	A-5375-1



P. O. BOX 1207, MANITOWOC, WI 54221-1207 (920) 682-6173 FAX (920) 682-7699
Internet <http://www.oilrite.com> e-mail sales@oilrite.com

Channel Level Gages ... Flush - Steel



CHANNEL LEVEL GAGES can be mounted flush against the outside surface of a reservoir with only a small amount of protrusion.

Liquid level gages for flush mounting are used for a multitude of applications, such as on tanks, reservoirs, packaged hydraulic equipment, large steel mill pumps, hydraulic presses, and for any other application where it is desirable to indicate fluid levels.

These level gages are used to determine the liquid level inside a metal reservoir by visual observation of the level in a transparent sight. The clarity and condition of the liquid can also be checked. Models with a thermometer will show the temperature of the liquid as well.

Extremely sturdy and rigid, these gages come with glass sights mounted inside the steel channel shield to provide maximum protection against breakage. Visibility of the liquid level is excellent through the large sight opening. A reflector enhances the visibility of the liquid level. Liquid level markings can be added on request.

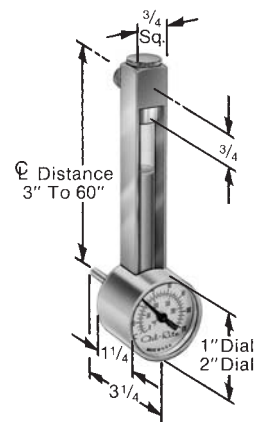
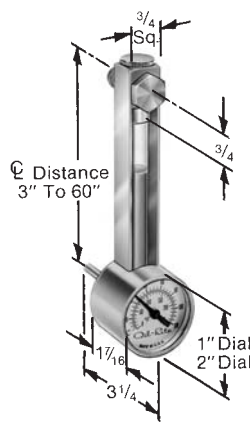
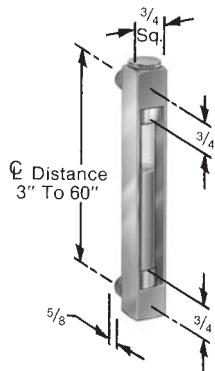
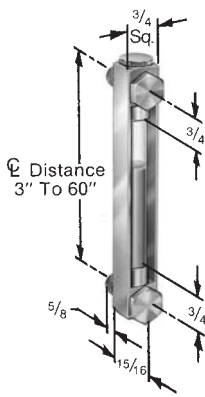
Back mounting gages are used on tanks permitting access to the inside, in order to fasten the nuts on the mounting studs inserted in drilled holes in reservoirs. Front mounting gages are used on reservoirs which do NOT permit access to the inside, therefore, the tanks must have two tapped holes, 1/2-20 N.F., to receive the mounting studs, which are fastened from the outside.

SPECIFICATIONS:

- Pressure 125 P.S.I. Maximum
- Temperature 225° F. Max.
- Centerline Distance Between Mtg. Holes 3" to 60" in 1" increments
- Body Steel, Plated (Optional Material Available)
- Sight Redline Gage Glass
- Seals Buna-N
- Mounting Shanks Steel, Plated 1/2-20 N.F.

When Ordering Specify:

- Model Number
- CL Distance Between Mounting Studs
- Option/Accessories Catalog Numbers if Applicable



Front Mounting	
Style	Model Number
Plain	B-1559-1

Back Mounting	
Style	Model Number
Plain	B-1556-1

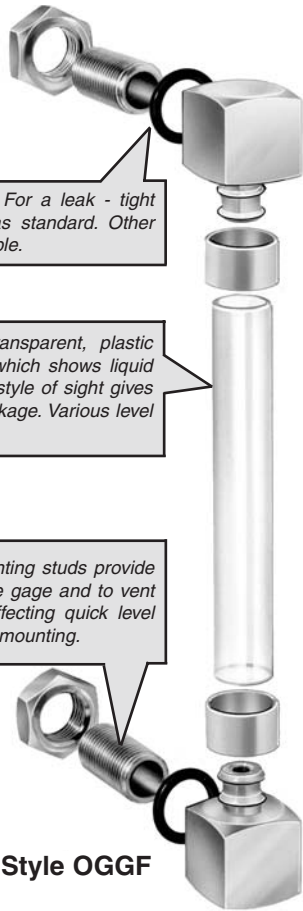
Front Mounting Thermometer	
Style	Model Number
1" Dial Thermo.	B-1560-1
2" Dial Thermo.	B-1560-2

Back Mounting Thermometer	
Style	Model Number
1" Dial Thermo.	B-1557-1
2" Dial Thermo.	B-1557-2



Option & Acc.	Shutoff Stud for Front Mtg. Gage	Tank Plug for Gage Removal	Straight Thread to N.P.T. Adapter		Washer for Cylindrical Mtg.	Support Bracket	Replacement Seal Kits	
	Part Number	A-4894-1	A-3580-1	3/8" N.P.T.			1/2" N.P.T.	Plain
			B-1656-4	B-1572-2	B-742-10	A-2860-1	A-4549	A-4984

Flexible Level Gages...Flush



LEAKPROOF CONSTRUCTION — For a leak - tight seal. Buna-N seals are furnished as standard. Other commercial seal materials are available.

FLEXIBLE SIGHTS — Flexible, transparent, plastic gages offer a break-resistant sight which shows liquid level from all sides and angles. The style of sight gives flexibility while eliminating glass breakage. Various level markings are available on request.

QUICK RESPONSE — Hollow mounting studs provide large passages for liquid to enter the gage and to vent displaced air back into the tank, effecting quick level response. 1/2-20 threads are used for mounting.

Style OGGF

FLEXIBLE LEVEL GAGES have a plastic sight which can readily follow the contour of curved surfaces, allowing maximum low liquid level readings, eliminating the necessity of special designs. These gages can be mounted flush against the outside surface of a liquid reservoir. This line of gages offers maximum visibility at low cost.

Liquid level gages for flush mounting are used for a multitude of applications, such as on tanks, reservoirs, packaged hydraulic equipment, large steel mill pumps, hydraulic presses, and for any other application where it is desirable to indicate liquid levels.

The plastic sights used are of clear, heavy walled, vinyl tubing and are shatterproof. They offer excellent chemical resistance to most fluids.

These gages are used to determine the liquid level inside a metal tank by visual observation of the level in a transparent sight. The clarity and condition of the liquid can also be checked. Models with a thermometer will also show the temperature of the liquid as well.

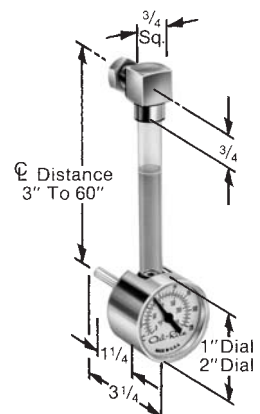
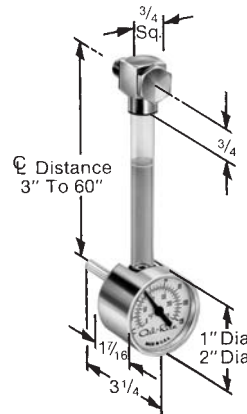
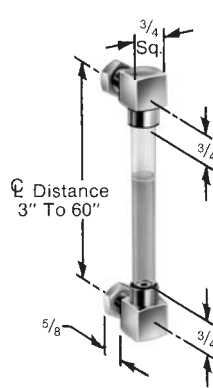
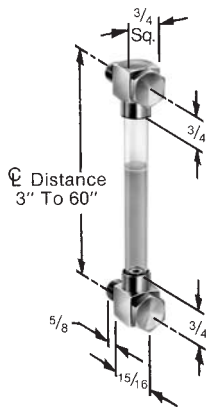
Back mounting gages are used on tanks permitting access to the inside in order to fasten the nuts on the mounting studs, inserted in drilled holes in reservoirs. Front mounting gages are used on reservoirs which do NOT permit access to the inside, therefore, the tank must have two tapped holes, 1/2 - 20, N.F. to receive the mounting studs which are fastened from the outside.

SPECIFICATIONS:

- Pressure 30 P.S.I. Max. at 72° F.
- Temperature 180° F. Max. at Atmospheric Pressure
- Centerline Distance Between Mtg. Holes 3" to 60" in 1" Increments
- End Blocks Aluminum Alloy
- Sight Clear Plastic Vinyl
- Seals Buna-N
- Mounting Shanks Steel, Plated 1/2-20 N.F.

When Ordering Specify:

- Model Number
- CL Distance Between Mounting Studs
- Option/Accessories Catalog Numbers if Applicable



Front Mounting	
Style	Model Number
Plain	B-1565-1

Back Mounting	
Style	Model Number
Plain	B-1562-1

Front Mounting Thermometer	
Style	Model Number
1" Dial Thermo.	B-1566-1
2" Dial Thermo.	B-1566-2

Back Mounting Thermometer	
Style	Model Number
1" Dial Thermo.	B-1563-1
2" Dial Thermo.	B-1563-2

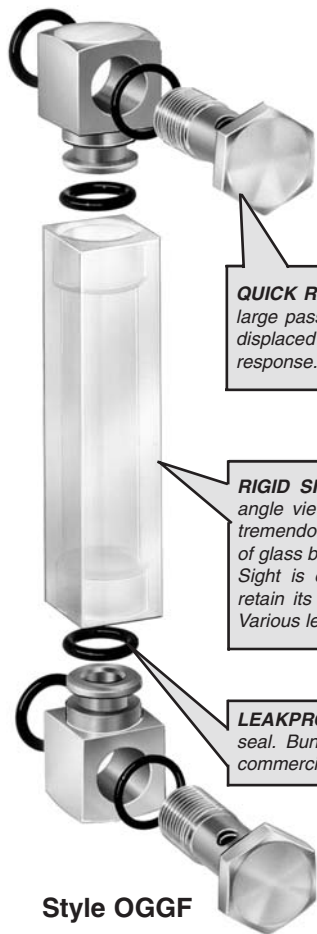


Option & Acc.	Shutoff Stud for Front Mtg. Gage	Tank Plug for Gage Removal	Straight Thread to N.P.T. Adapter		Washer for Cylindrical Mtg.	Replacement Seal Kits	
			3/8" N.P.T.	1/2" N.P.T.		Plain	Thermometer
Part Number	A-4894-1	A-3580-1	B-1656-4	B-1572-2	B-742-10	A-4990	A-4991



P. O. BOX 1207, MANITOWOC, WI 54221-1207 (920) 682-6173 FAX (920) 682-7699
 Internet <http://www.oilrite.com> e-mail sales@oilrite.com

Rigid Plastic Level Gages...Flush



QUICK RESPONSE — Hollow mounting studs provide large passages for liquid to enter the gage and to vent displaced air back into the tank, effecting quick level response. 1/2-20 threads are used for mounting.

RIGID SIGHT — Transparent, nylon sight with wide-angle viewing is extremely tough and will withstand a tremendous amount of duress, eliminating the hazards of glass breakage experienced on conventional designs. Sight is compatible with many chemicals, and it will retain its clarity through various temperature changes. Various level markings available on request.

LEAKPROOF CONSTRUCTION — For a leak-tight seal. Buna-N seals are furnished as standard. Other commercial seal materials are available.

Style OGGF

RIGID PLASTIC LEVEL GAGES can be mounted flush against the outside surface of a liquid reservoir with only a small amount of protrusion.

Liquid level gages for flush mounting are used for a multitude of applications, such as on tanks, reservoirs, packaged hydraulic equipment, large steel mill pumps, hydraulic presses, and for any other application where it is desirable to indicate liquid levels.

Liquid level gages are used to determine the liquid level inside a metal reservoir by visual observation of the level in a transparent sight. The clarity and condition of the liquid can also be checked. Models with a thermometer will also show the temperature of the liquid.

Break resistant level gages show the liquid level clearly from all sides except the back, which has a reflector. These gages are made of clear, transparent, almost unbreakable nylon which can be furnished in many heights.

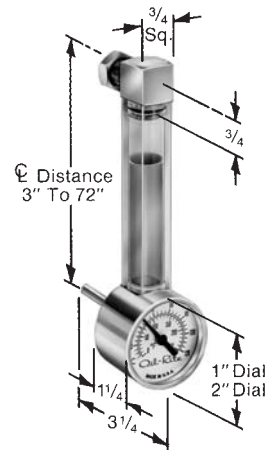
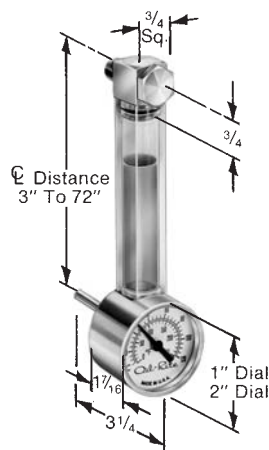
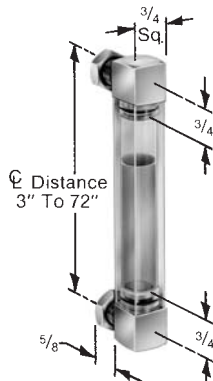
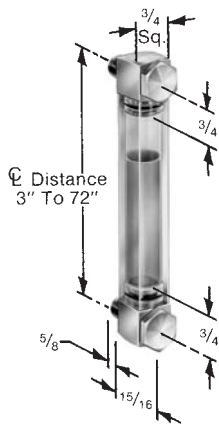
Back mounting gages are used on tanks permitting access to the inside in order to fasten the nuts on the mounting studs, inserted in drilled holes in reservoirs. Front mounting gages are used on reservoirs which do NOT permit access to the inside, therefore, the tank must have two tapped holes, 1/2 - 20, to receive the mounting studs, which are fastened from the outside.

SPECIFICATIONS:

- Pressure 125 P.S.I. Max. at 72° F.
- Temperature 205° F. Max. at Atmospheric Pressure
- Centerline Distance Between Mtg. Holes 3" to 72" in 1" increments
- End Blocks Aluminum Alloy
- Sight Transparent Nylon
- Seals Buna-N
- Mounting Shanks Steel, Plated 1/2-20 N.F.

When Ordering Specify:

- Model Number
- CL Distance Between Mounting Studs
- Option/Accessories Catalog Numbers if Applicable



Front Mounting	
Style	Model Number
Plain	B-1574-1

Back Mounting	
Style	Model Number
Plain	B-1573-1

Front Mounting Thermometer	
Style	Model Number
1" Dial Thermo.	B-1576-1
2" Dial Thermo.	B-1576-2

Back Mounting Thermometer	
Style	Model Number
1" Dial Thermo.	B-1575-1
2" Dial Thermo.	B-1575-2



Option & Acc.	Shutoff Stud for Front Mtg. Gage	Tank Plug for Gage Removal	Straight Thread to N.P.T. Adapter		Washer for Cylindrical Mtg.	Support Bracket	Replacement Seal Kits	
	Part Number	Part Number	3/8" N.P.T.	1/2" N.P.T.	Part Number	Part Number	Plain	Thermometer
	A-4894-1	A-3580-1	B-1656-4	B-1572-2	B-742-10	A-2860-1	A-4985	A-4986

Rigid Plastic Level Gages...Flush

Broad Face Nylon Level Gages...Flush



QUICK RESPONSE — Hollow mounting studs provide large passages for liquid to enter the gage and to vent displaced air back into the tank, effecting quick level response. 1/2-20 threads are used for mounting.

INCREASED VISIBILITY — A reflector provides increased visibility of the liquid level.

RIGID SIGHTS — Sight features an almost unbreakable plastic sight which provides 1/2 inch wide column of liquid.

When Ordering Specify:

- Model Number
- CL Distance Between Mounting Studs
- Option/Accessories Catalog Numbers if Applicable

Style OGGF

BROAD FACE NYLON LEVEL GAGES are used for distant viewing of the level and clarity of the liquid. These tough, rugged gages are offered for flush mounting only, in heights up to 36 inches.

This gage is used on tanks, reservoirs, packaged hydraulic units, and in many other applications where it is necessary to check liquid levels for the protection of costly equipment.

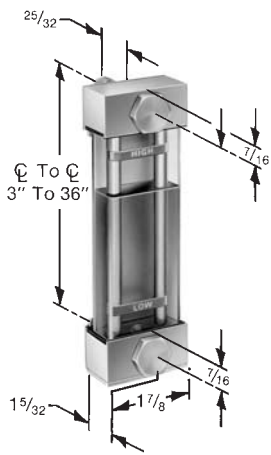
The unit consists of an almost unbreakable plastic sight, compatible with most oils and holds a 1/2 inch wide column of liquid. It is held between top and bottom enclosures with two internal tie rods which compress the necessary seals. High and Low level marking are internally mounted across the tie rods.

A white reflector for increasing visibility of the liquid column is held with two brackets. Hollow mounting bolts provide large passages for liquid to enter the gage and to vent displaced air back into the tank, effecting quick level response.

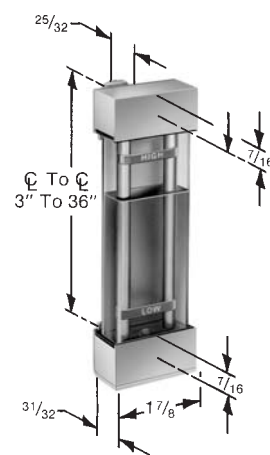
Back mounting gages are used on tanks permitting access to the inside in order to fasten the nuts on the mounting studs, inserted in drilled holes in reservoirs. Front are used on reservoirs which do NOT permit access to the inside, therefore, the tank must have two tapped holes, 1/2-20, to receive the mounting studs which are fastened from the outside.

SPECIFICATIONS:

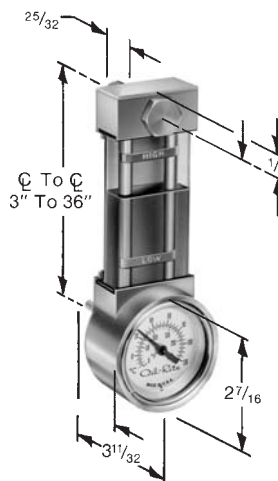
- Pressure 50 P.S.I. Max. at 72° F. 205° F. Max. with No Pressure
- Temperature
- Centerline Distance Between Mtg. Holes 3" to 36" in 1" Increments
- End Blocks Aluminum Alloy
- Sight Transparent Nylon
- Seals Buna-N
- Mounting Studs Steel, Plated 1/2-20 N.F.



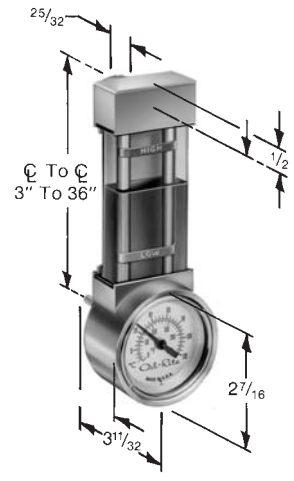
Front Mounting	
Style	Model Number
Plain	B-1920-1



Back Mounting	
Style	Model Number
Plain	B-1919-1



Front Mounting Thermometer	
Style	Model Number
2" Dial Thermo.	B-1926-1



Back Mounting Thermometer	
Style	Model Number
2" Dial Thermo.	B-1925-1



Option & Acc.	Tank Plug for Gage Removal	Straight Thread to N.P.T. Adapter		Washer for Cylindrical Mtg.	Replacement Seal Kits	
		3/8" N.P.T.	1/2" N.P.T.		Plain	2" Thermo.
Part Number	A-3580-1	B-1656-4	B-1572-2	B-742-10	A-4987	A-4988



P. O. BOX 1207, MANITOWOC, WI 54221-1207 (920) 682-6173 FAX (920) 682-7699
 Internet <http://www.oilrite.com> e-mail sales@oilrite.com

Broad Face Nylon Level Gages

Window Sights

GASKETED WINDOW SIGHTS have sights that are placed between two seals within the sight bodies, providing a leak tight seal. The gasketed window sight can also be furnished with acrylic lenses on request.

These window sights are used for fluid sighting on hydraulic tanks, pressure vessels, reservoirs, packaged power equipment, hydraulic lines and piping or most any application where oil or fluid inspection is essential. Two or more sights can indicate a high level, a low level, and if desired, levels in between.

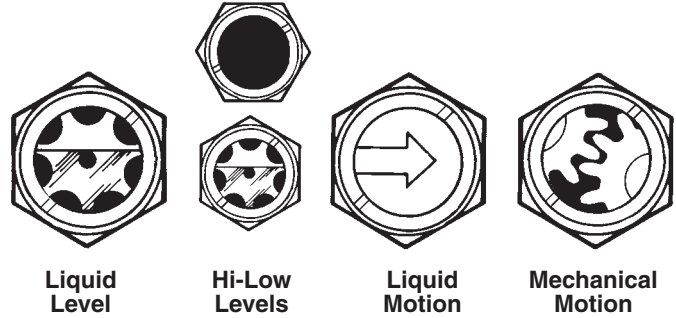
An exclusive feature of these units is the new stainless steel reflector which maximizes visibility in poor light. The reflector will not tarnish, corrode or discolor under the most adverse conditions.

These sights are principally used to visually indicate liquid levels, observing liquid condition, fluid motion, mechanical movements, or tests performed with a safe enclosure. Two or more sights can be mounted so as to indicate High-Low or in-between levels.

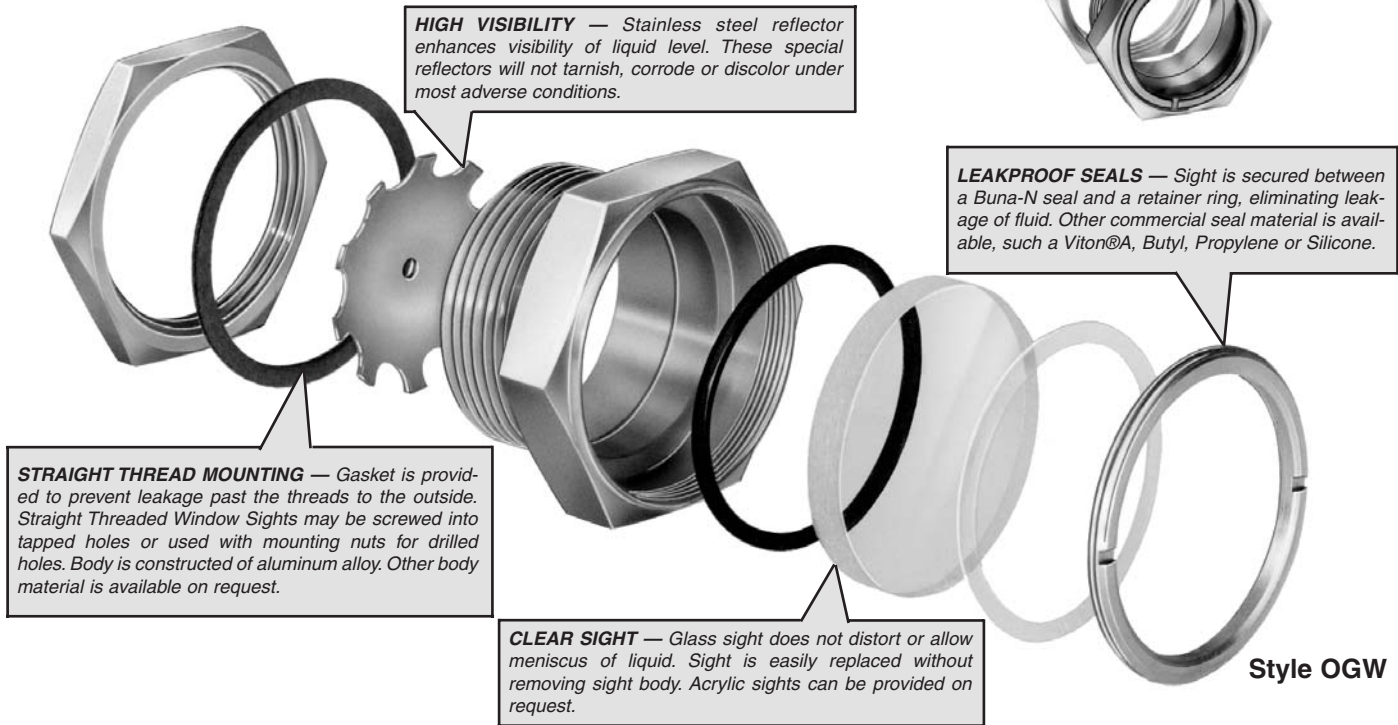
SPECIFICATIONS:

- Pressure
- Temperature
- Body
- Sight
- Seals
- Reflector

125 P.S.I. Max.
(See Chart Below)
225° F. Max.
Aluminum Alloy
Glass
Buna-N (Other Commercial Seal Material Available on Request)
Stainless Steel

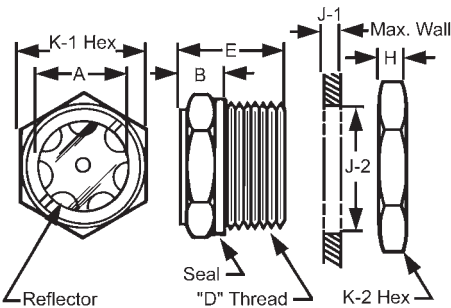


When Ordering Specify:
• Catalog Number



Style OGW

Window Sights



Model Number				A	B	D	E	H	J-1	J-2	K-1	K-2	Max P.S.I.
Less Reflector		With Reflector											
With Nut	Less Nut	With Nut	Less Nut										
B-2394-1	B-2394-11			5/16	13/32	1/2-20	23/32	11/64	9/64	17/32	11/16	3/4	125
B-2394-2	B-2394-12	B-2396-1	B-2396-11	7/16	7/16	5/8-18	13/16	13/64	11/64	21/32	13/16	15/16	125
B-2394-3	B-2394-13	B-2396-2	B-2396-12	9/16	7/16	3/4-16	13/16	7/32	5/32	25/32	15/16	1 1/16	125
B-2394-4	B-2394-14	B-2396-3	B-2396-13	25/32	1/2	1-14	15/16	9/32	5/32	1 1/32	1 1/4	1 7/16	125
B-2394-5	B-2394-15	B-2396-4	B-2396-14	1	1/2	1 1/4-12	1	1/4	1/4	1 9/32	1 1/2	1 1/2	100
B-2394-6	B-2394-16	B-2396-5	B-2396-15	1 19/64	17/32	1 1/2-12	1 7/32	1/4	7/16	1 17/32	1 3/4	1 3/4	50
B-2394-7	B-2394-17	B-2396-6	B-2396-16	1 17/32	19/32	1 3/4-12	1 9/32	1/4	7/16	1 25/32	2	2	50
B-2394-8	B-2394-18	B-2396-7	B-2396-17	1 31/32	19/32	2 1/4-12	1 9/32	1/4	7/16	2 9/32	2 1/2	2 1/2	50

Window Sights

Gasketed Window Sights w / N.P.T. Mtg.

SPECIFICATIONS:

- Pressure 125 P.S.I. Max.
- Temperature 225° F. Max.
- Body Steel, Plated
- Sight Glass
- Seals Buna-N (Other Commercial Seal Material Available on Request)
- Reflector Stainless Steel

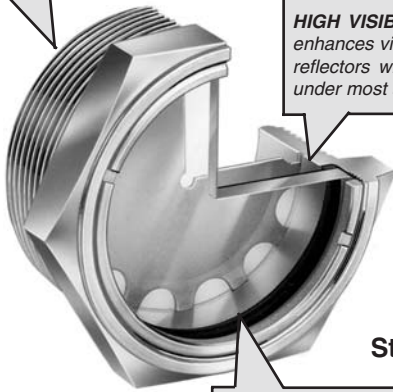
When Ordering Specify:

- Catalog Number

MOUNTING — Plated body is made of sturdy hexagon steel and features various NPT sizes which can be mounted in any ordinary pipe thread. Other body materials available on request.



HIGH VISIBILITY — Stainless steel reflector enhances visibility of liquid level. These special reflectors will not tarnish, corrode or discolor under most adverse conditions.



Style OGW

CLEAR SIGHT — Gasketed glass sight does not distort or allow meniscus of liquid. Sight is easily replaced without removing sight body. Acrylic sight can be provided on request.

Fused Window Sights w / N.P.T. Mtg.

SPECIFICATIONS:

- Pressure 125 P.S.I. Max.
- Temperature 250° F. Max.
- Body Steel, Plated
- Sight Glass
- Reflector Stainless Steel

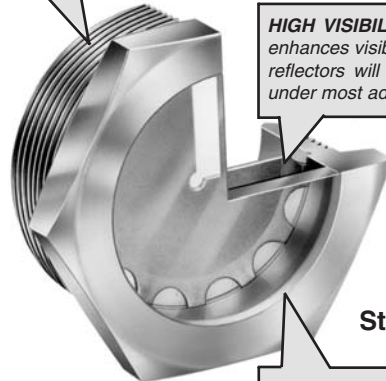
When Ordering Specify:

- Catalog Number

MOUNTING — Plated body is made of sturdy hexagon steel and features various NPT sizes which can be mounted in any ordinary pipe thread.

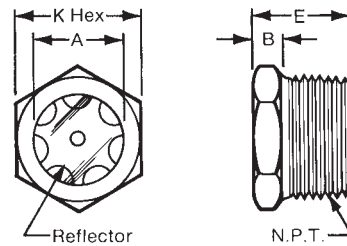
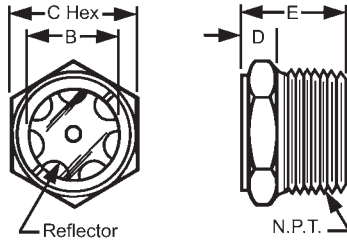


HIGH VISIBILITY — Stainless steel reflector enhances visibility of liquid level. These special reflectors will not tarnish, corrode or discolor under most adverse conditions.



Style OGW

LEAKPROOF — Sight is fused to steel body by special process providing a leakproof seal without O-Rings. This unit can withstand severe thermal shock.



Catalog Number		N.P.T. Size	B	C	D	E
Less Reflector	With Reflector					
B-1740-1	—	1/4	5/16	5/8	11/32	25/32
B-1740-2	B-1740-12	3/8	15/32	3/4	3/8	7/8
B-1740-3	B-1740-13	1/2	19/32	15/16	3/8	15/16
B-1740-4	B-1740-14	3/4	25/32	1 1/16	7/16	1 1/16
B-1740-5	B-1740-15	1	1	1 3/8	7/16	1 3/16
B-1740-6	B-1740-16	1 1/4	1 19/64	1 3/4	15/32	1 9/32
B-1740-7	B-1740-17	1 1/2	1 17/32	2	17/32	1 11/32
B-1740-8	B-1740-18	2	1 31/32	2 1/2	17/32	1 13/32

Catalog Number		N.P.T. Size	A	B	E	K
Less Reflector	With Reflector					
A-2890-1	—	1/4	11/32	3/16	5/8	5/8
A-2890-2	A-2890-12	3/8*	7/16	3/16	3/4	3/4
A-2890-3	A-2890-13	1/2	9/16	7/32	25/32	15/16
A-2890-4	A-2890-14	3/4*	3/4	5/16	1 1/16	1 1/16
A-2890-5	A-2890-15	1	15/16	5/16	1 1/16	1 3/8
A-2890-6	A-2890-16	1 1/4	1 3/16	13/32	1 7/32	1 3/4
A-2890-7	A-2890-17	1 1/2	1 7/16	13/32	1 7/32	2
A-2890-8	A-2890-18	2	1 7/8	13/32	1 9/32	2 1/2

* Mounting - N.P.T.F.



P. O. BOX 1207, MANITOWOC, WI 54221-1207 (920) 682-6173 FAX (920) 682-7699
Internet <http://www.oilrite.com> e-mail sales@oilrite.com

Specialized Liquid Level Gages

DRUM GAGE with FAUCET determines level and condition of oils, solvents, chemicals, water and any other fluids stored in steel drums. Fits standard 55 gallon drums. Provides instant visual checks with extreme accuracy to aid in measurement and inventory control. Ideal for indoor or outdoor use.

Channel body is made of rigid steel, plated to resist rust. Clear gage glass is housed within channel providing maximum protection. Brass faucet resists rust and corrosion and automatically shuts off when release, thus preventing unwanted waste. A means in which the faucet can be locked is provided.

SPECIFICATIONS:

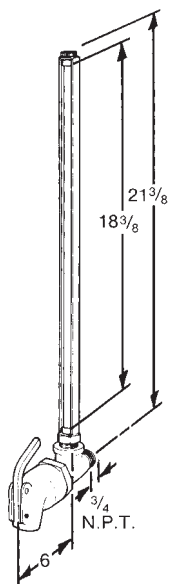
- Pressure Atmospheric Pressure (Sight is Vented)
- Temperature 225° F. Max.
- Body Steel, Plated
- Sight Gage, Glass
- Seals Buna-N
- Valve Brass

When Ordering Specify:

- Catalog Number



Style OGG



Catalog Number	B-2550-1
----------------	----------

FUSED WINDOW SIGHTS with ALUMINUM BALL are principally used to visually indicate liquid level and liquid condition. Two or more sights can be used to show High-Low or in-between levels.

An aluminum ball is placed between the glass sight and the stainless steel reflector which provides maximum visible observation of the liquid level.

For utmost reliability, these window sights can be used for fluid sighting on hydraulic tanks pressure vessels, reservoirs, packaged power equipment, hydraulic lines and piping, or most any application where oil or fluid inspection is essential.

SPECIFICATIONS:

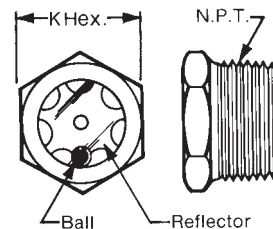
- Pressure 125 P.S.I. Max.
- Temperature 250° F. Max.
- Body Steel, Plated
- Sight Glass
- Ball Aluminum
- Reflector Stainless Steel

When Ordering Specify:

- Catalog Number



Style OGW



Catalog Number	N.P.T. Size	K Hex.
A-4959-1	1	1 ³ / ₈
A-4959-2	3/8 NPTF	3/4
A-4959-3	1/2	15/16
A-4959-4	3/4 NPTF	1 ¹ / ₁₆
A-4959-5	1 ¹ / ₄	1 ³ / ₄
A-4959-6	1 ¹ / ₂	2
A-4959-7	2	2 ¹ / ₂