

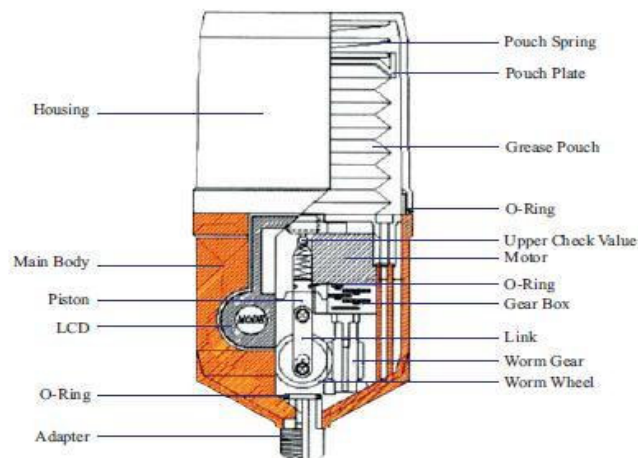
ALCONZ 10250

- Automatic Battery Operate Grease Lubricator

Alconz 10250, single-point automatic grease dispenser is designed to ensure reliable lubrication and cut lubrication cost by an advanced electronic control mechanism. It consists of a vertical feed pump, motor/gear set, and Microprocessor control system, which makes outstanding operating pressure available upto 20kg-f/ Cm2 (280 psi).

The Lubricant is supplied in 250cc Alconz 10250 pouch, which are replaceable along with a Alconz 10250 power pack. Alconz 10250 is designed to operate across a wide temperature range from- 20 to + 70°C. Carefully selected full range of grease: i.e. mineral based multipurpose, Heavy Duty, High Speed, and fully synthetic Food Grade (USDA H1) and High temperature lubricant.

Alconz 10250 offers 5 optional dispensing interval from 1 to 12 months in a single unit.



Features

- * High operating pressure (upto 20kg-f/Cm2 280psi)
- * Anti-vibration, break-free design (low weight balance)
- * Precise dispensing control
- * Cost competitive
- * Compact and convenient
- * Easy to read LCD display
- * Wide operating temperature range

Specifications

Grease pouch	: 250cc (replaceable)
Power supply	: DC 4.5 V (replaceable)
Operating Pressure	: upto 20kg-f/cm2 (280psi)
Operating Temperature	: form-20 to + 70oC
Temperature range can be varied by either a relative humidity or heat radiation of application..	
Lube Interval	: 1,2,3,6, and 12 months
Lube cycle	: approx. 20 seconds/cycle
Dispensing volume	: 0.347cc/cycle
Dispensing Accuracy	: ± 3%
Output thread	: carbon plated steel 3/8" (NPT or BSP)
LCD Screen Displays	: Dispensing interval set, Motor overloaded, Time left till replacement Low Battery power & Grease Level

Specifications

1. Anti-friction roller bearings and journals for applications including:
Access is hazardous or inconvenient, Contamination is present, Insufficient staff to guarantee lubrication of Bushings
2. Shafts, Slides, Sheaves etc.



Major

MAJOR SALES AND SERVICE

A division of Major Furnace Australia Pty Ltd

Tel: 03 9558 2433

Email: major@majoreng.com.au

Fax: 03 9558 2466

Web: www.majoreng.com.au

3. Common Applications:

Conveyors, Motors, Agitators, Pumps, Overhead cranes, Air circulating systems

4. Widely used in :

Steel, Mining, Cement, Automotive, Petrol-Chemical, Pulp & Paper, Electronics, Food processing, Beverage & Bottling, Metro system, Modern Buildings etc.

Adjustment Guidelines

In the chart below are some guidelines for bearing lubrication requirements. Requirements may vary with individual bearing types or operating conditions.

Ball & Roller Bearings

Bearing Shaft Diameter	250cc	Dispensing Equivalents
120-135mm (4-3/4"~5-1/8")	1/2 month	16.6cc / day
105-120mm (4-1/8"~4-3/4")	1 month	8.3cc / day
88-105mm (3-1/2"~4-1/8")	2 month	4.2cc / day
79-87mm (3-1/8"~3-1/2")	3 month	2.8cc / day
63-78mm (2-1/2"~3")	6 month	1.4cc / day
49-62mm (2~2-1/2")	12 month	0.7cc / day
25-48mm (1~2")		0.3cc / day

Grease Selection Guide lines

Model	Grease	Discription
GP 1	Heavy Duty	High performance NLGI#2 EP grease for heavy-duty applications. Dark gray colored (contains MoS2)
GP 2	High Speed	High Performance NLGI#2 grease specially designed for high-speed applications (above 3,000 rpm).
GP 3	Food Grade	USDA H1 rated NLGI #1 High performance Aluminum Complex grease for food application.
GP 4	High Temperature	High performance NLGI#2 grease for extreme temperature applications.
GP 5	Multi Purpose	Multi purpose high performance NLGI#1 EP grease

OEM filling is available on demand. For specific terms and conditions, please contact your local distributor

Operation

- 1) Depress POWER button for 2 seconds to turn unit on
- 2) Confirm LCD turned on and red LED blinks
- 3) Test unit operation by test mode:
 - * Depress POWER button first and the depress 250cc button within 2 seconds.
 - * Unit will continuously operate unless POWER button is depressed.
 - * Otherwise, please refer to troubleshooting guideline of installation instruction.
- * To deactivate TEST mode, depress POWER button again. Unit will stop testing within 2 seconds.
- 4) Depress MODE button to set dispensing interval.
- 5) Each time MODE button is depressed, the dispensing interval changes from 1,2,3,6 and 12 month.



Distributor

Major
MAJOR SALES AND SERVICE
A division of Major Furnace Australia Pty Ltd
Tel: 03 9558 2433 Email: major@majoreng.com.au
Fax: 03 9558 2466 Web: www.majoreng.com.au

WARRANTY

Alspec Industries Sdn Bhd guarantees the product to be free of defects in material and workmanship for a period of 12 months from date of delivery. Warranty is limited to replacement of the product. There is no consequential loss covered by the Warranty. The Warranty will be void if the unit is mistreated, tampered with, used in a hostile chemical environment, used under water, maliciously damaged, used outside the specified ambient operating temperature range of -20 to 70 °C, used with other than from an AUTHORIZED DISTRIBUTOR or MANUFACTURER supplied service pack. Please contact your local supplier or manufacturer for the validity of the Warranty.